

# Catalog cilindri hidraulici

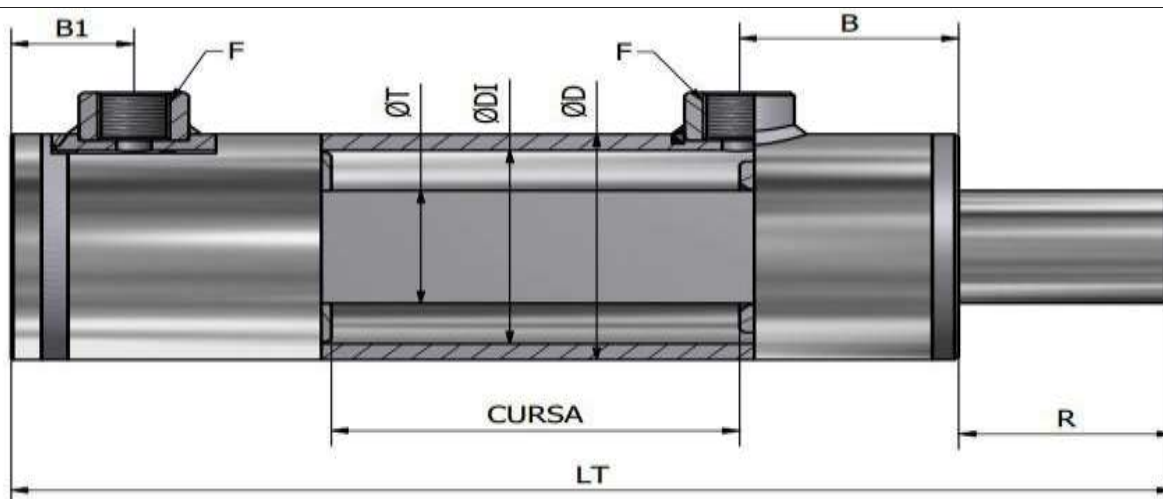
► S.C. Baza Tehnica Alfa S.R.L. ◀



*Sediu: Calea  
Plevnei nr.164,  
Sector 6, Mun.  
Bucuresti;  
mail:bazatehinca@  
gmail.com*

## Cuprins:

PS	CILINDRU HIDRAULIC DUBLU EFECT – DOUBLE ACTING HYDRAULIC CYLINDER .....	1
CS	CILINDRU HIDRAULIC DUBLU EFECT – DOUBLE ACTING HYDRAULIC CYLINDER .....	10
FR	CILINDRU HIDRAULIC DUBLU EFECT – DOUBLE ACTING HYDRAULIC CYLINDER .....	15
CD	CILINDRU HIDRAULIC DUBLU EFECT – DOUBLE ACTING HYDRAULIC CYLINDER .....	20
CG	CILINDRU HIDRAULIC DUBLU EFECT – DOUBLE ACTING HYDRAULIC CYLINDER .....	25
CR	CILINDRU HIDRAULIC DUBLU EFECT – DOUBLE ACTING HYDRAULIC CYLINDER .....	31
Contact:	.....	40

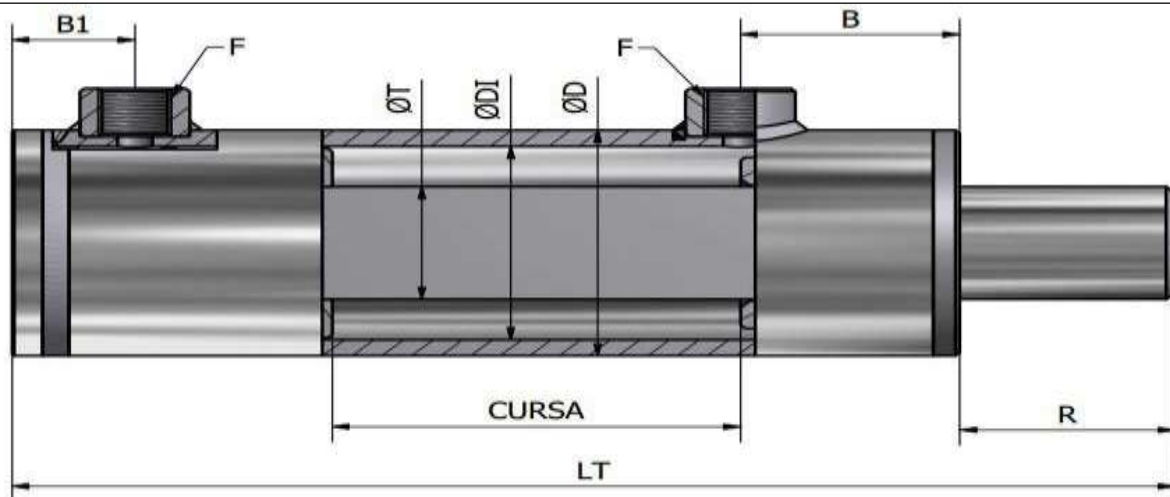


COD - CODE	D	DI	T	CURSA - STROKE	LT	B	B1	R	F
PS00502516	35	25	16	50	135	33	15	17	1/4
PS01002516				100	185				
PS01502516				150	235				
PS02002516				200	285				
PS00503220	42	32	20	50	155	33	20	16	1/4"
PS01003220				100	205				
PS01503220				150	255				
PS02003220				200	305				
PS02503220				250	355				
PS03003220				300	405				
PS04003220				400	505				
PS05003220	500	605							
PS01004020	50	40	20	100	230	40	23	22	1/4"
PS01504020				150	280				
PS02004020				200	330				
PS02504020				250	380				
PS03004020				300	430				
PS03504020				350	480				
PS04004020				400	530				
PS04504020				450	580				
PS05004020	500	630							
PS01004025	50	40	25	100	230	40	23	22	1/4"
PS01504025				150	280				
PS02004025				200	330				
PS02504025				250	380				
PS03004025				300	430				
PS03504025				350	480				

\*La cerere se pot executa si alte dimensiuni si configuratii.

**ȚEAVĂ – TUBE:** OȚEL – STEEL – ST 52.3 DIN 2391 ISO H8

**TIJĂ – ROD:** OȚEL – STEEL – UNI Ck45 SAE 1045 – CROM/CHROME min.20 MICRON

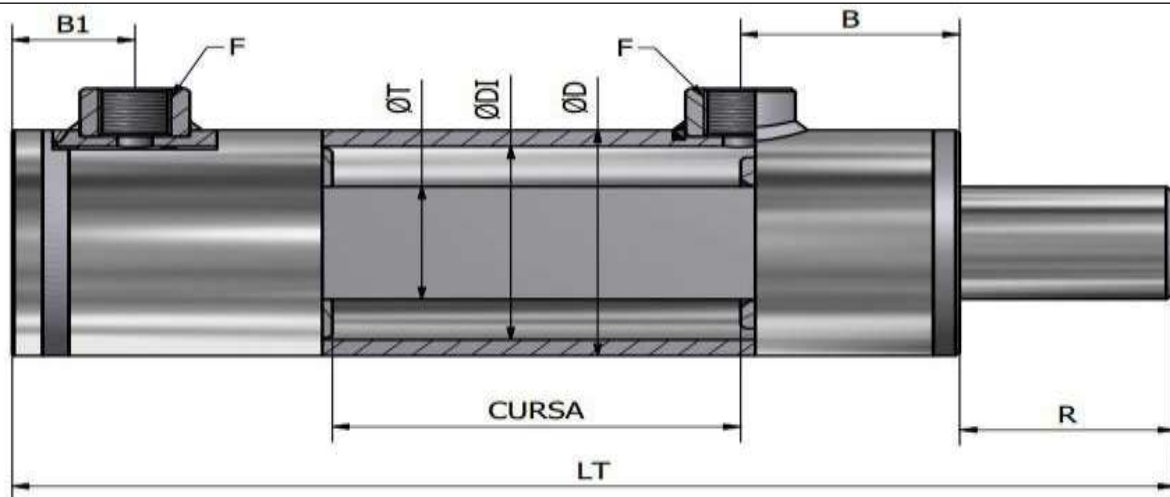


COD - CODE	D	DI	T	CURSA - STROKE	LT	B	B1	R	F
PS04004025				400	530				
PS04504025				450	580				
PS05004025				500	630				
PS05504025				550	680				
PS06004025				600	730				
PS01005025				100	240				
PS01505025				150	290				
PS02005025				200	340				
PS02505025				250	390				
PS03005025				300	440				
PS03505025				350	490				
PS04005025	60	50	25	400	540	43	26	22	3/8"
PS04505025				450	590				
PS05005025				500	640				
PS05505025				550	690				
PS06005025				600	740				
PS08005025				800	940				
PS010005025				1000	1140				
PS01505030				150	290				
PS02005030				200	340				
PS02505030				250	390				
PS03005030				300	440				
PS03505030				350	490				
PS04005030				400	540				
PS04505030	60	50	30	450	590	43	26	22	3/8"
PS05005030				500	640				
PS05505030				550	690				
PS06005030				600	740				
PS07005030				700	840				
PS08005030				800	940				
PS010005030				1000	1140				
PS01006030	70	60	30	100	260	50	30	23	3/8"
PS01506030				150	310				

\*La cerere se pot executa si alte dimensiuni si configuratii.

ȚEAVĂ – TUBE: OȚEL – STEEL – ST 52.3 DIN 2391 ISO H8

TIJĂ – ROD: OȚEL – STEEL – UNI Ck45 SAE 1045 – CROM/CHROME min.20 MICRON

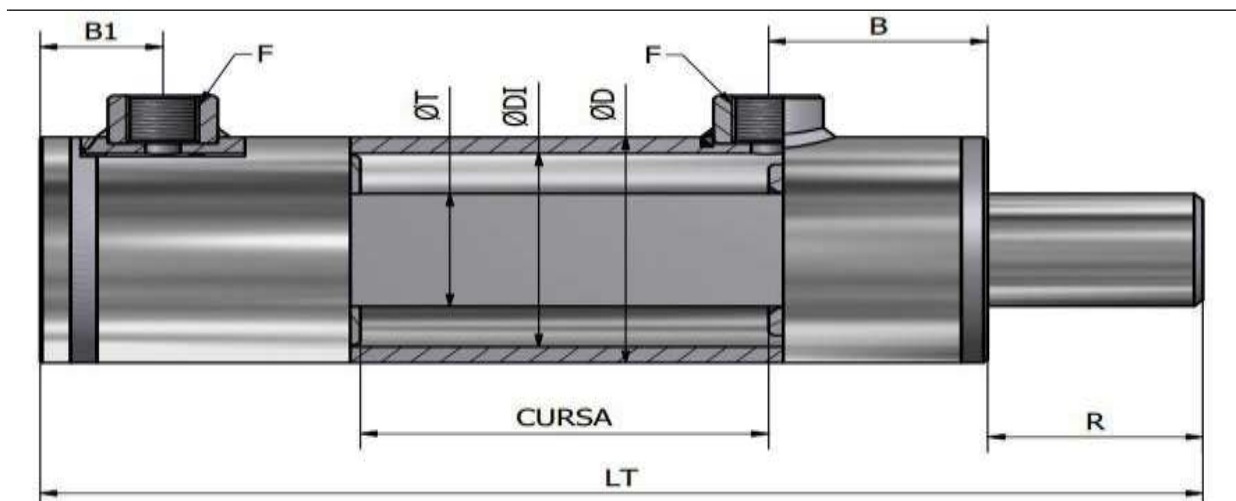


COD - CODE	D	DI	T	CURSA - STROKE	LT	B	B1	R	F
PS02006030				200	360				
PS02506030				250	410				
PS03006030				300	460				
PS03506030				350	510				
PS04006030				400	560				
PS04506030				450	610				
PS05006030				500	660				
PS05506030				550	710				
PS06006030				600	760				
PS08006030				800	960				
PS10006030				1000	1160				
PS01006035				100	260				
PS01506035				150	310				
PS02006035				200	360				
PS02506035				250	410				
PS03006035				300	460				
PS03506035				350	510				
PS04006035	70	60	35	400	560	50	30	23	3/8"
PS04506035				450	610				
PS05006035				500	660				
PS05506035				550	710				
PS06006035				600	760				
PS08006035				800	960				
PS10006035				1000	1160				
PS02006040				200	360				
PS02506040				250	410				
PS03006040				300	460				
PS03506040				350	510				
PS04006040	70	60	40	400	560	50	30	23	3/8"
PS04506040				450	610				
PS05006040				500	660				
PS05506040				550	710				
PS06006040				600	760				

\*La cerere se pot executa si alte dimensiuni si configuratii.

ȚEAVĂ – TUBE: OȚEL – STEEL – ST 52.3 DIN 2391 ISO H8

TIJĂ – ROD: OȚEL – STEEL – UNI Ck45 SAE 1045 – CROM/CHROME min.20 MICRON

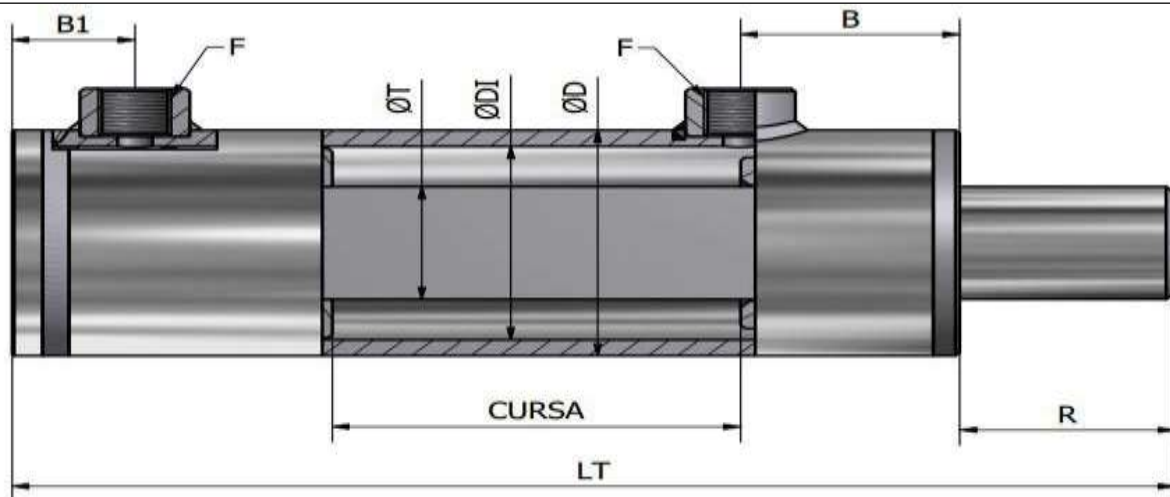


COD - CODE	D	DI	T	CURSA - STROKE	LT	B	B1	R	F
PS08006040				800	960				
PS10006040				1000	1160				
PS02006340				200	360				
PS02506340				250	410				
PS03006340				300	460				
PS03506340				350	510				
PS04006340				400	560				
PS04506340	70	63	40	450	610	50	30	23	3/8"
PS05006340				500	660				
PS05506340				550	710				
PS06006340				600	760				
PS08006340				800	960				
PS10006340				1000	1160				
PS01007035				100	260				
PS01507035				150	310				
PS02007035				200	360				
PS02507035				250	410				
PS03007035				300	460				
PS03507035				350	510				
PS04007035	80	70	35	400	560	50	33	23	3/8"
PS04507035				450	610				
PS05007035				500	660				
PS05507035				550	710				
PS06007035				600	760				
PS08007035				800	960				
PS10007035				1000	1160				
PS02007040				200	360				
PS02507040				250	410				
PS03007040				300	460				
PS03507040	80	70	40	350	510	50	33	23	3/8"
PS04007040				400	560				
PS04507040				450	610				
PS05007040				500	660				

\*La cerere se pot executa si alte dimensiuni si configuratii.

ȚEAVĂ – TUBE: OȚEL – STEEL – ST 52.3 DIN 2391 ISO H8

TIJĂ – ROD: OȚEL – STEEL – UNI Ck45 SAE 1045 – CROM/CHROME min.20 MICRON

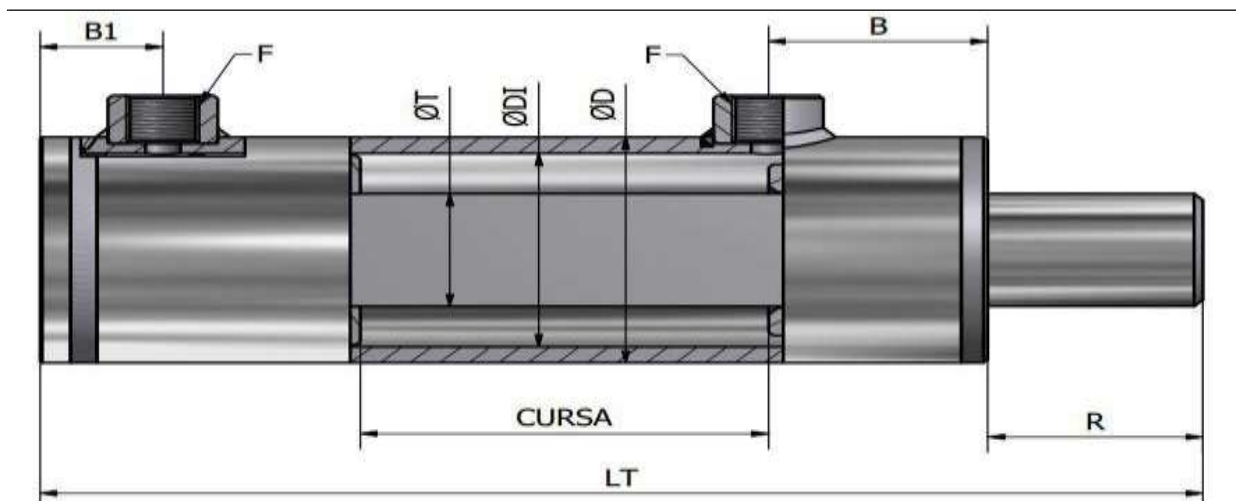


COD - CODE	D	DI	T	CURSA - STROKE	LT	B	B1	R	F
PS05507040				550	710				
PS06007040				600	760				
PS08007040				800	960				
PS10007040				1000	1160				
PS02008040				200	380				
PS02508040				250	430				
PS03008040				300	480				
PS03508040				350	530				
PS04008040	92	80	40	400	580	60	35	25	½"
PS04508040				450	630				
PS05008040				500	680				
PS06008040				600	780				
PS08008040				800	980				
PS10008040				1000	1180				
PS02008050				200	380				
PS02508050				250	430				
PS03008050				300	480				
PS03508050				350	530				
PS04008050	92	80	50	400	580	60	35	25	½"
PS04508050				450	630				
PS05008050				500	680				
PS06008050				600	780				
PS08008050				800	980				
PS10008050				1000	1180				
PS03009050				300	486				
PS04009050				400	586				
PS05009050	105	90	50	500	686	60	38	25	½"
PS06009050				600	786				
PS08009050				800	986				
PS10009050				1000	1186				
PS020010050				200	410				
PS025010050	115	100	50	250	460	82	38	25	½"
PS030010050				300	510				

\*La cerere se pot executa si alte dimensiuni si configuratii.

ȚEAVĂ – TUBE: OȚEL – STEEL – ST 52.3 DIN 2391 ISO H8

TIJĂ – ROD: OȚEL – STEEL – UNI Ck45 SAE 1045 – CROM/CHROME min.20 MICRON



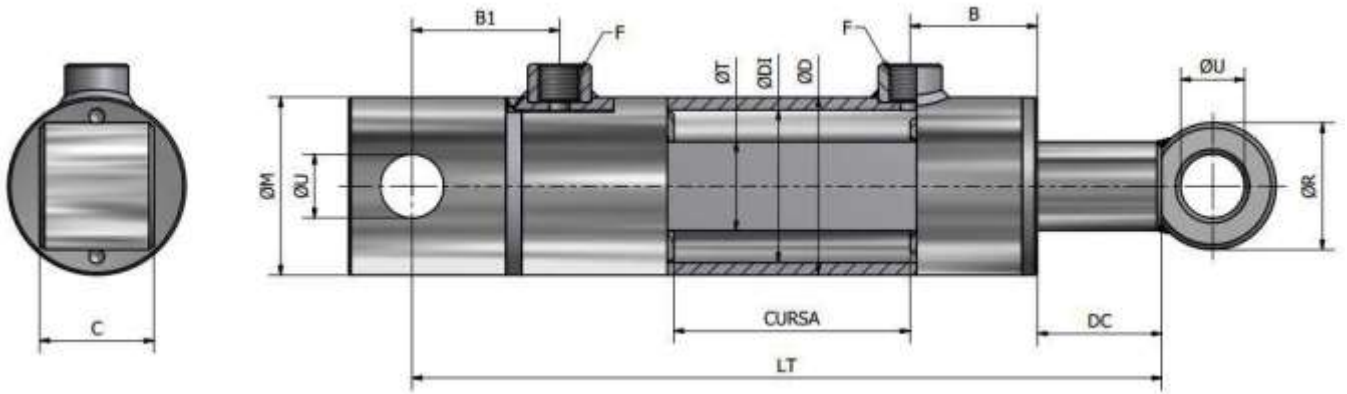
COD - CODE	D	DI	T	CURSA - STROKE	LT	B	B1	R	F
PS040010050				400	610				
PS050010050				500	710				
PS060010050				600	810				
PS080010050				800	1010				
PS100010050				1000	1210				
PS030010060				300	510				
PS040010060				400	610				
PS050010060	115	100	60	500	710	82	38	25	½"
PS060010060				600	810				
PS080010060				800	1010				
PS100010060				1000	1210				

\*La cerere se pot executa si alte dimensiuni si configuratii.

**ȚEAVĂ – TUBE:** OȚEL – STEEL – ST 52.3 DIN 2391 ISO H8

**TIJĂ – ROD:** OȚEL – STEEL – UNI Ck45 SAE 1045 – CROM/CHROME min.20 MICRON



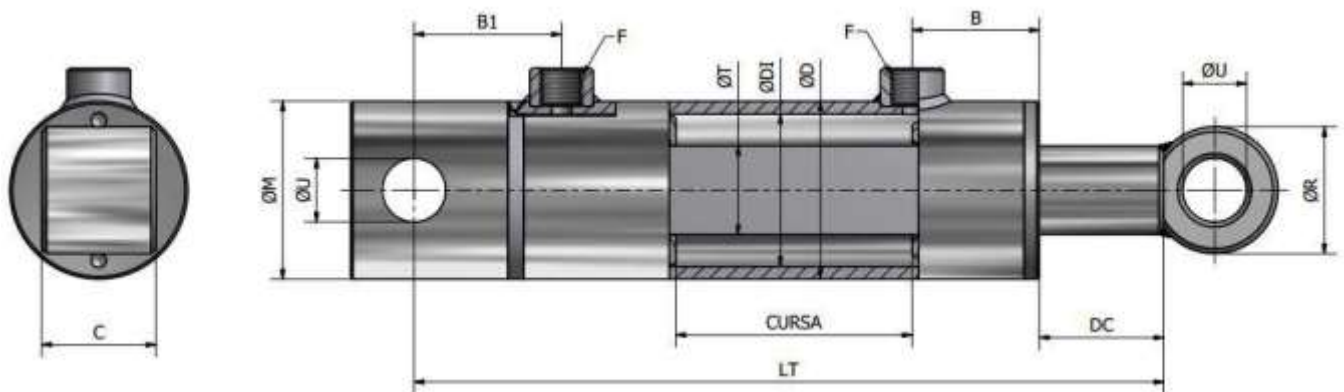


COD – CODE	D	DI	T	CURSA - STROKE	LT	B	B1	DC	U	R	C	M	F
FP00502516	35	25	16	50	160	33	22	31	12	25	25	35	1/4
FP01002516				100	210								
FP01502516				150	260								
FP02002516				200	310								
FP00503220	42	32	20	50	205	33	35	51	16	30	35	40	1/4"
FP01003220				100	255								
FP01503220				150	305								
FP02003220				200	355								
FP02503220				250	405								
FP03003220				300	455								
FP04003220	400	555											
FP05003220	500	655											
FP01004025	50	40	25	100	270	40	38	65	20	40	40	50	3/8"
FP01504025				150	320								
FP02004025				200	370								
FP02504025				250	420								
FP03004025				300	470								
FP04004025				400	570								
FP05004025				500	670								
FP06004025				600	770								
FP07004025	700	870											
FP08004025	800	970											
FP01005030	60	50	30	100	300	43	42	85	25	50	45	60	3/8"
FP01505030				150	350								
FP02005030				200	400								
FP02505030				250	450								
FP03005030				300	500								
FP04005030				400	600								
FP05005030				500	700								
FP06005030	600	800											
FP07005030	700	900											

\*La cerere se pot executa si alte dimensiuni si configuratii.

ȚEAVĂ – TUBE: OȚEL – STEEL – ST 52.3 DIN 2391 ISO H8

TIJĂ – ROD: OȚEL – STEEL – UNI Ck45 SAE 1045 – CROM/CHROME min.20 MICRON

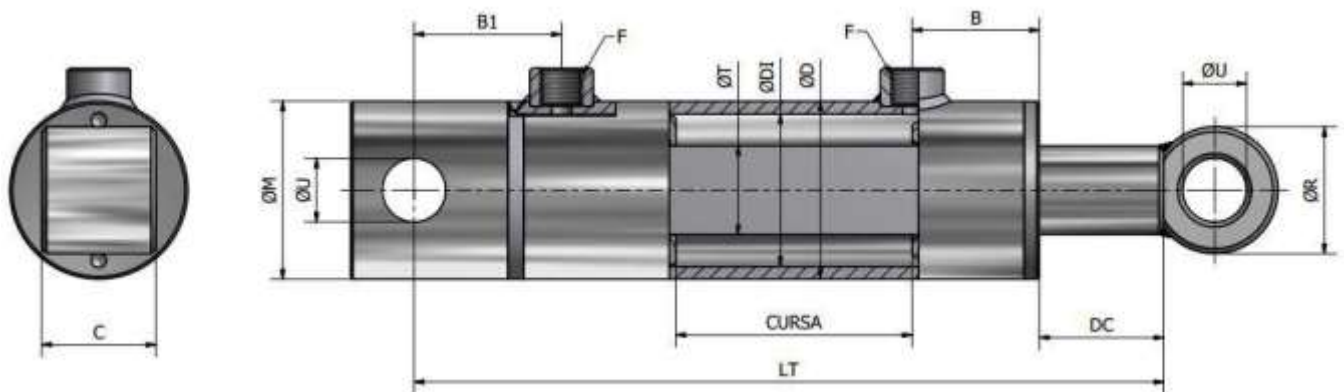


COD – CODE	D	DI	T	CURSA - STROKE	LT	B	B1	DC	U	R	C	M	F
FP08005030				800	1000								
FP09005030				900	1100								
FP10005030				1000	1200								
FP01006030	70	60	30	100	300	50	36	83	25	50	45	70	3/8"
FP01506030				150	350								
FP02006030				200	400								
FP02506030				250	450								
FP03006030				300	500								
FP04006030				400	600								
FP05006030				500	700								
FP06006030				600	800								
FP07006030				700	900								
FP02006035				70	60								
FP03006035	300	500											
FP04006035	400	600											
FP05006035	500	700											
FP06006035	600	800											
FP07006035	700	900											
FP08006035	800	1000											
FP09006035	900	1100											
FP10006035	1000	1200											
FP02007040	80	70	40			200	410	50	58	48	30	50	55
FP02507040				250	460								
FP03007040				300	510								
FP03507040				350	560								
FP04007040				400	610								
FP04507040				450	660								
FP05007040				500	710								
FP06007040				600	810								
FP07007040				700	910								
FP08007040				800	1010								
FP09007040	900	1110											
FP02008040	92	80	40	200	410	60	58	38	30	50	55	90	3/8"
FP02508040				250	460								

\*La cerere se pot executa si alte dimensiuni si configuratii.

**ȚEAVĂ – TUBE:** OȚEL – STEEL – ST 52.3 DIN 2391 ISO H8

**TIJĂ – ROD:** OȚEL – STEEL – UNI Ck45 SAE 1045 – CROM/CHROME min.20 MICRON

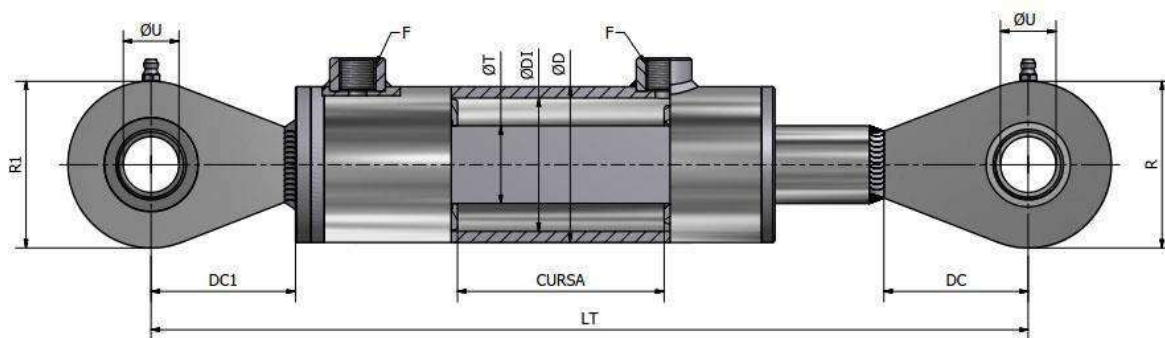


COD - CODE	D	DI	T	CURSA - STROKE	LT	B	B1	DC	U	R	C	M	F
FP03008040				300	510								
FP03508040				350	560								
FP04008040				400	610								
FP05008040				500	710								
FP06008040				600	810								
FP07008040				700	910								
FP08008040				800	1010								
FP09008040				900	1110								
FP10008040				1000	1210								
FP020010050				200	425								
FP030010050				300	525								
FP040010050				400	625								
FP050010050	115	100	50	500	725	82	50	46	30	65	70	115	3/8"
FP070010050				700	925								
FP090010050				900	1125								
FP100010050				1000	1225								

\*La cerere se pot executa si alte dimensiuni si configuratii.

**ȚEAVĂ - TUBE:** OȚEL - STEEL - ST 52.3 DIN 2391 ISO H8

**TIJĂ - ROD:** OȚEL - STEEL - UNI Ck45 SAE 1045 - CROM/CHROME min.20 MICRON

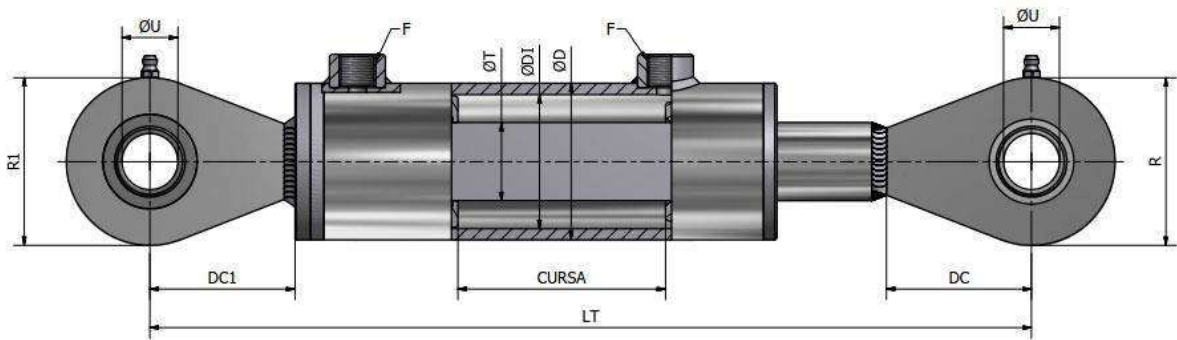


COD - CODE	D	DI	T	CURSA - STROKE	LT	U	R	DC	R1	DC1	F
CS00503220	42	32	20	50	275	16	46	60	46	60	¼"
CS01003220				100	325						
CS01503220				150	375						
CS02003220				200	425						
CS02503220				250	475						
CS03003220				300	525						
CS04003220				400	625						
CS05003220				500	725						
CS01004020	50	40	20	100	350	16	46	60	46	60	¼"
CS01504020				150	400						
CS02004020				200	450						
CS02504020				250	500						
CS03004020				300	550						
CS03504020				350	600						
CS04004020				400	650						
CS04504020				450	700						
CS05004020	500	750									
CS01004025	50	40	25	100	350	16	46	60	46	60	¼"
CS01504025				150	400						
CS02004025				200	450						
CS02504025				250	500						
CS03004025				300	550						
CS03504025				350	600						
CS04004025				400	650						
CS04504025				450	700						
CS05004025				500	750						
CS05504025				550	800						
CS06004025				600	850						
CS01005025	60	50	25	100	356	20	62	58	62	58	3/8"
CS01505025				150	406						
CS02005025				200	456						

\*La cerere se pot executa si alte dimensiuni si configuratii.

ȚEAVĂ – TUBE: OȚEL – STEEL – ST 52.3 DIN 2391 ISO H8

TIJĂ – ROD: OȚEL – STEEL – UNI Ck45 SAE 1045 – CROM/CHROME min.20 MICRON

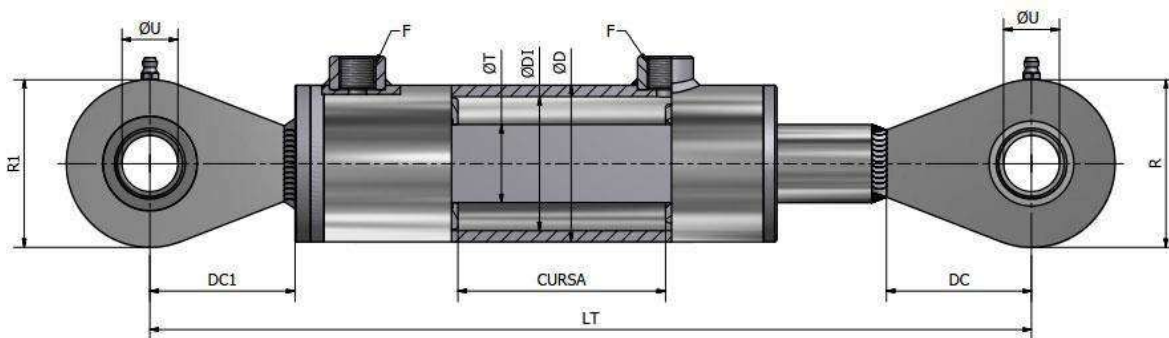


COD - CODE	D	DI	T	CURSA - STROKE	LT	U	R	DC	R1	DC1	F
CS02505025				250	506						
CS03005025				300	556						
CS03505025				350	606						
CS04005025				400	656						
CS04505025				450	706						
CS05005025				500	756						
CS05505025				550	806						
CS06005025				600	856						
CS08005025				800	1056						
CS10005025				1000	1256						
CS01505030				150	406						
CS02005030				200	456						
CS02505030				250	506						
CS03005030				300	556						
CS03505030				350	606						
CS04005030	60	50	30	400	656	20	62	58	62	58	3/8"
CS04505030				450	706						
CS05005030				500	756						
CS05505030				550	806						
CS06005030				600	856						
CS08005030				800	1056						
CS10005030				1000	1256						
CS01006030	70	60	30	100	390	25	75	65	75	65	3/8"
CS01506030				150	440						
CS02006030				200	490						
CS02506030				250	540						
CS03006030				300	590						
CS03506030				350	640						
CS04006030				400	690						
CS04506030				450	740						
CS05006030				500	790						
CS05506030				550	840						
CS06006030				600	890						
CS08006030				800	1090						
CS10006030				1000	1290						
CS01006035	70	60	35	100	390	25	75	65	75	65	3/8"

\*La cerere se pot executa si alte dimensiuni si configuratii.

**ȚEAVĂ – TUBE:** OȚEL – STEEL – ST 52.3 DIN 2391 ISO H8

**TIJĂ – ROD:** OȚEL – STEEL – UNI Ck45 SAE 1045 – CROM/CHROME min.20 MICRON

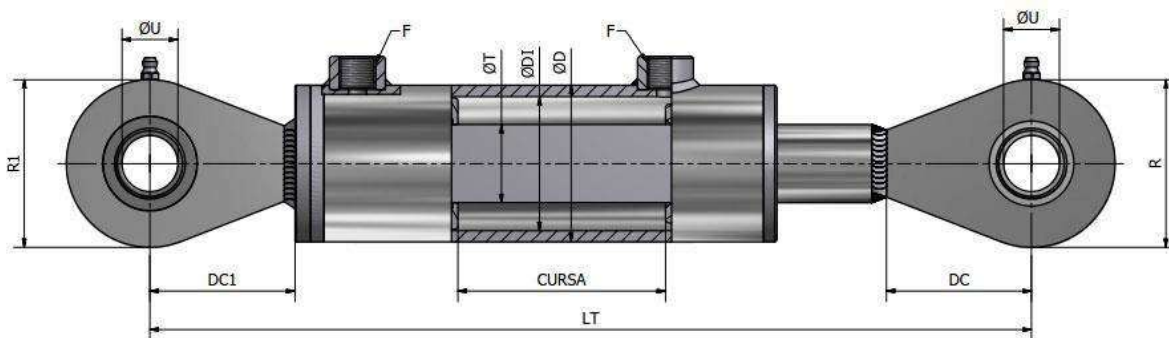


COD - CODE	D	DI	T	CURSA - STROKE	LT	U	R	DC	R1	DC1	F
CS01506035				150	440						
CS02006035				200	490						
CS02506035				250	540						
CS03006035				300	590						
CS03506035				350	640						
CS04006035				400	690						
CS04506035				450	740						
CS05006035				500	790						
CS05506035				550	840						
CS06006035				600	890						
CS08006035				800	1090						
CS10006035				1000	1290						
CS02006040				200	490						
CS02506040				250	540						
CS03006040				300	590						
CS03506040				350	640						
CS04006040				400	690						
CS04506040	70	60	40	450	740	25	75	65	75	65	3/8"
CS05006040				500	790						
CS05506040				550	840						
CS06006040				600	890						
CS08006040				800	1090						
CS10006040				1000	1290						
CS02006340	73	63	40	200	490	25	75	65	75	65	3/8"
CS02006340				250	540						
CS02006340				300	590						
CS02006340				350	640						
CS02006340				400	690						
CS02006340				450	740						
CS02006340				500	790						
CS02006340				550	840						
CS02006340				600	890						
CS02006340				800	1090						
CS02006340				1000	1290						
CS01007035	80	70	35	100	390	25	75	65	75	65	3/8"
CS01507035				150	440						

\*La cerere se pot executa si alte dimensiuni si configuratii.

ȚEAVĂ – TUBE: OȚEL – STEEL – ST 52.3 DIN 2391 ISO H8

TIJĂ – ROD: OȚEL – STEEL – UNI Ck45 SAE 1045 – CROM/CHROME min.20 MICRON



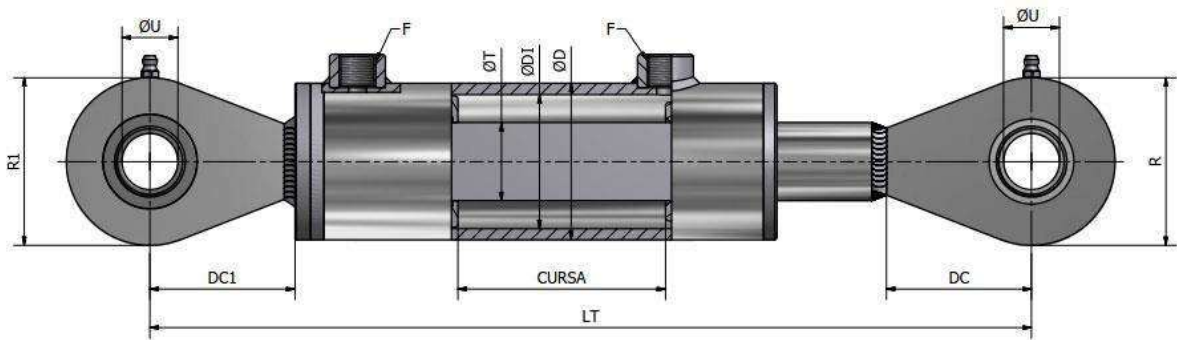
COD - CODE	D	DI	T	CURSA - STROKE	LT	U	R	DC	R1	DC1	F
CS02007035				200	490						
CS02507035				250	540						
CS03007035				300	590						
CS03507035				350	640						
CS04007035				400	690						
CS04507035				450	740						
CS05007035				500	790						
CS05507035				550	840						
CS06007035				600	890						
CS08007035				800	1090						
CS10007035				1000	1290						
CS02007040				200	490						
CS02507040				250	540						
CS03007040				300	590						
CS03507040				350	640						
CS04007040				400	690						
CS04507040	80	70	40	450	740	25	75	65	75	65	3/8"
CS05007040				500	790						
CS05507040				550	840						
CS06007040				600	890						
CS08007040				800	1090						
CS10007040				1000	1290						
CS02008040				200	510						
CS02508040				250	560						
CS03008040				300	610						
CS04008040	92	80	40	400	710	30	83	65	83	65	1/2"
CS05008040				500	810						
CS06008040				600	910						
CS08008040				800	1110						
CS10008040				1000	1310						
CS02008050				200	510						
CS02508050				250	560						
CS03008050				300	610						
CS04008050	92	80	50	400	710	30	83	65	83	65	1/2"
CS05008050				500	810						
CS06008050				600	910						

\*La cerere se pot executa si alte dimensiuni si configuratii.

**ȚEAVĂ – TUBE:** OȚEL – STEEL – ST 52.3 DIN 2391 ISO H8

**TIJĂ – ROD:** OȚEL – STEEL – UNI Ck45 SAE 1045 – CROM/CHROME min.20 MICRON





COD - CODE	D	DI	T	CURSA - STROKE	LT	U	R	DC	R1	DC1	F									
CS08008050				800	1110															
CS10008050				1000	1310															
CS03009050	100	90	50	300	656	40	108	85	108	85	½"									
CS04009050				400	756															
CS05009050				500	856															
CS06009050				600	956															
CS08009050				800	1156															
CS10009050				1000	1356															
CS020010050				115	100							50	200	580	40	108	85	108	85	½"
CS025010050													250	630						
CS030010050	300	680																		
CS040010050	400	780																		
CS050010050	500	880																		
CS060010050	600	980																		
CS080010050	800	1180																		
CS100010050	1000	1380																		
CS030010060	115	100	60	300	680	40	108	85	108	85	½"									
CS040010060				400	780															
CS050010060				500	880															
CS060010060				600	980															
CS080010060				800	1180															
CS100010060				1000	1380															

\*La cerere se pot executa si alte dimensiuni si configuratii.

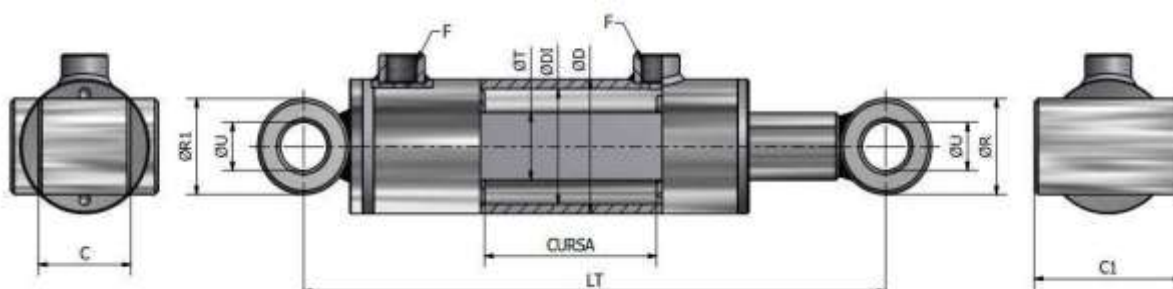
**ȚEAVĂ – TUBE:** OȚEL – STEEL – ST 52.3 DIN 2391 ISO H8

**TIJĂ – ROD:** OȚEL – STEEL – UNI Ck45 SAE 1045 – CROM/CHROME min.20 MICRON



FR

## CILINDRU HIDRAULIC DUBLU EFECT – DOUBLE ACTING HYDRAULIC CYLINDER

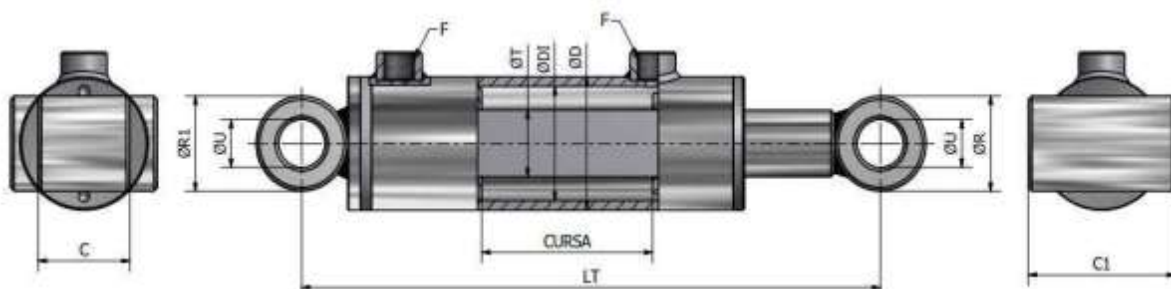


COD - CODE	D	DI	T	CURSA - STROKE	LT	U	R	C	R1	C1	F
FR00503220	42	32	20	50	190	16	35	30	35	60	¼"
FR01003220				100	240						
FR01503220				150	290						
FR02003220				200	340						
FR02503220				250	390						
FR03003220				300	440						
FR04003220				400	540						
FR05003220				500	640						
FR01004020				50	40						
FR01504020	150	315									
FR02004020	200	365									
FR02504020	250	415									
FR03004020	300	465									
FR03504020	350	515									
FR04004020	400	565									
FR04504020	450	615									
FR05004020	500	665									
FR01004025	50	40	25	100	265	16	35	30	35	60	¼"
FR01504025				150	315						
FR02004025				200	365						
FR02504025				250	415						
FR03004025				300	465						
FR03504025				350	515						
FR04004025				400	565						
FR04504025				450	615						
FR05004025				500	665						
FR05504025				550	715						
FR06004025				600	765						
FR01005025	60	50	25	100	280	20	40	40	40	70	3/8"
FR01505025				150	330						
FR02005025				200	380						
FR02505025				250	430						

\*La cerere se pot executa si alte dimensiuni si configuratii.

ȚEAVĂ – TUBE: OȚEL – STEEL – ST 52.3 DIN 2391 ISO H8

TIJĂ – ROD: OȚEL – STEEL – UNI Ck45 SAE 1045 – CROM/CHROME min.20 MICRON

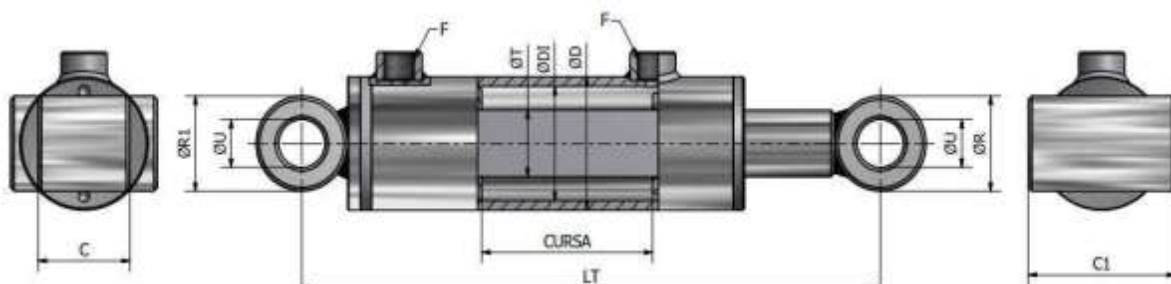


COD - CODE	D	DI	T	CURSA - STROKE		U	R	C	R1	C1	F
FR03005025				300	480						
FR03505025				350	530						
FR04005025				400	580						
FR04505025				450	630						
FR05005025				500	680						
FR05505025				550	730						
FR06005025				600	780						
FR08005025				800	980						
FR10005025				1000	1180						
FR01505030				150	330						
FR02005030				200	380						
FR02505030				250	430						
FR03005030				300	480						
FR03505030				350	530						
FR04005030	60	50	30	400	580	20	40	40	40	70	3/8"
FR04505030				450	630						
FR05005030				500	680						
FR05505030				550	730						
FR06005030				600	780						
FR08005030				800	980						
FR10005030				1000	1180						
FR01006030				100	310						
FR01506030				150	360						
FR02006030				200	410						
FR02506030				250	460						
FR03006030				300	510						
FR03506030				350	560						
FR04006030	70	60	30	400	610	25	50	50	50	80	3/8"
FR04506030				450	660						
FR05006030				500	710						
FR05506030				550	760						
FR06006030				600	810						
FR08006030				800	1010						
FR10006030				1000	1210						
FR01006035				100	310						
FR01506035				150	360						
FR02006035				200	410						
FR02506035	70	60	35	250	460	25	50	50	50	80	3/8"
FR03006035				300	510						
FR03506035				350	560						

\*La cerere se pot executa si alte dimensiuni si configuratii.

**ȚEAVĂ – TUBE:** OȚEL – STEEL – ST 52.3 DIN 2391 ISO H8

**ȚIJĂ – ROD:** OȚEL – STEEL – UNI Ck45 SAE 1045 – CROM/CHROME min.20 MICRON

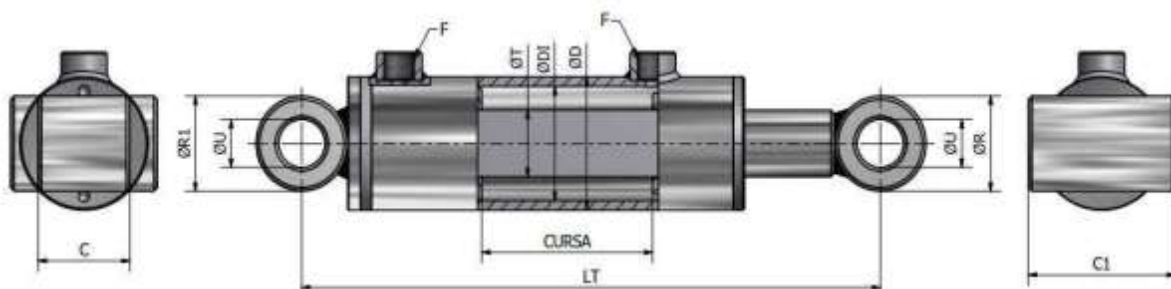


COD - CODE	D	DI	T	CURSA - STROKE	LT	U	R	C	R1	C1	F
FR04006035				400	610						
FR04506035				450	660						
FR05006035				500	710						
FR05506035				550	760						
FR06006035				600	810						
FR08006035				800	1010						
FR10006035				1000	1210						
FR02006040				200	410						
FR02506040				250	460						
FR03006040				300	510						
FR03506040				350	560						
FR04006040				400	610						
FR04506040	70	60	40	450	660	25	50	50	50	80	3/8"
FR05006040				500	710						
FR05506040				550	760						
FR06006040				600	810						
FR08006040				800	1010						
FR10006040				1000	1210						
FR02006340				200	410						
FR02506340				250	460						
FR03006340				300	510						
FR03506340				350	560						
FR04006340				400	610						
FR04506340	73	63	40	450	660	25	50	50	50	80	3/8"
FR05006340				500	710						
FR05506340				550	760						
FR06006340				600	810						
FR08006340				800	1010						
FR10006340				1000	1210						
FR01007035				100	310						
FR01507035				150	360						
FR02007035				200	410						
FR02507035				250	460						
FR03007035				300	510						
FR03507035	80	70	35	350	560	25	50	50	50	80	3/8"
FR04007035				400	610						
FR04507035				450	660						
FR05007035				500	710						
FR05507035				550	760						
FR06007035				600	810						

\*La cerere se pot executa si alte dimensiuni si configuratii.

**ȚEAVĂ – TUBE:** OȚEL – STEEL – ST 52.3 DIN 2391 ISO H8

**TIJĂ – ROD:** OȚEL – STEEL – UNI Ck45 SAE 1045 – CROM/CHROME min.20 MICRON

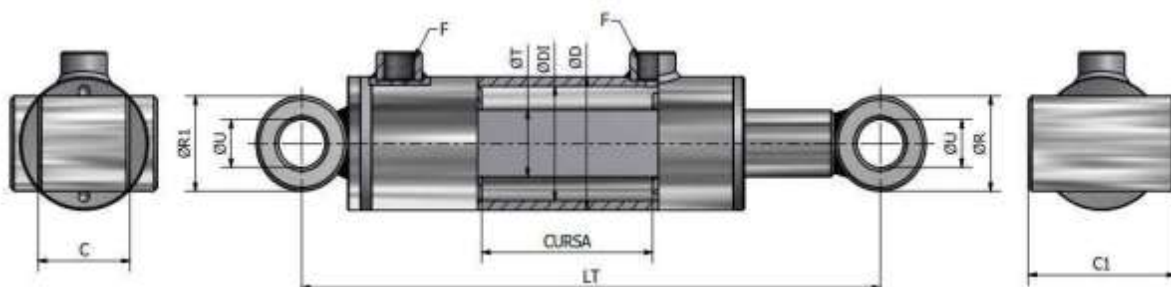


COD - CODE	D	DI	T	CURSA - STROKE		U	R	C	R1	C1	F									
FR08007035				800	1010															
FR10007035				1000	1210															
FR02007040	80	70	40	200	410	25	50	50	50	80	3/8"									
FR02507040				250	460															
FR03007040				300	510															
FR03507040				350	560															
FR04007040				400	610															
FR04507040				450	660															
FR05007040				500	710															
FR05507040				550	760															
FR06007040				600	810															
FR08007040				800	1010															
FR10007040				1000	1210															
FR02008040				92	80							40	200	440	30	60	60	60	110	1/2"
FR02508040													250	490						
FR03008040	300	540																		
FR04008040	400	640																		
FR05008040	500	740																		
FR06008040	600	840																		
FR08008040	800	1040																		
FR10008040	1000	1240																		
FR02008050	92	80	50	200	440	30	60	60	60	110	1/2"									
FR02508050				250	490															
FR03008050				300	540															
FR04008050				400	640															
FR05008050				500	740															
FR06008050				600	840															
FR08008050				800	1040															
FR10008050				1000	1240															
FR03009050	105	90	50	300	556	40	70	70	70	130	1/2"									
FR04009050				400	656															
FR05009050				500	756															
FR06009050				600	856															
FR08009050				800	1056															
FR10009050				1000	1256															
FR020010050	115	100	50	200	480	40	70	70	70	130	1/2"									
FR025010050				250	530															
FR030010050				300	580															
FR040010050				400	680															
FR050010050				500	780															

\*La cerere se pot executa si alte dimensiuni si configuratii.

ȚEAVĂ – TUBE: OȚEL – STEEL – ST 52.3 DIN 2391 ISO H8

TIJĂ – ROD: OȚEL – STEEL – UNI Ck45 SAE 1045 – CROM/CHROME min.20 MICRON

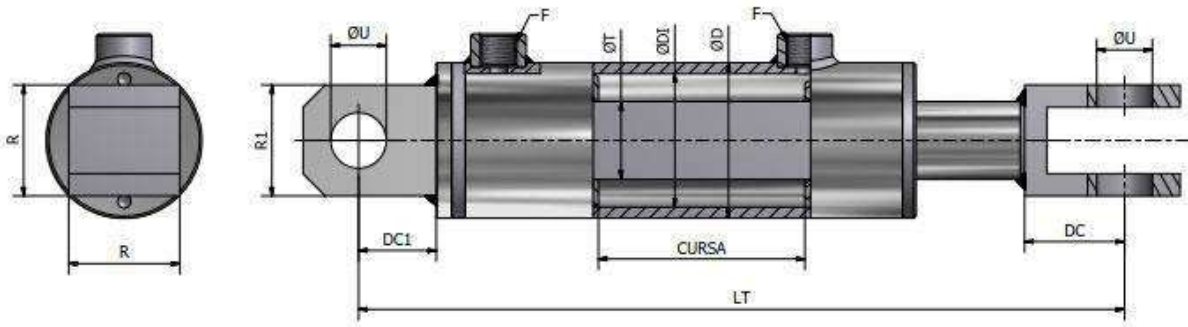


COD - CODE	D	DI	T	CURSA - STROKE		U	R	C	R1	C1	F
FR060010050				600	880						
FR080010050				800	1080						
FR100010050				1000	1280						
FR030010060	115	100	60	300	580	40	70	70	70	130	½"
FR040010060				400	680						
FR050010060				500	780						
FR060010060				600	880						
FR080010060				800	1080						
FR100010060				1000	1280						

\*La cerere se pot executa si alte dimensiuni si configuratii.

**ȚEAVĂ – TUBE:** OȚEL – STEEL – ST 52.3 DIN 2391 ISO H8

**TIJĂ – ROD:** OȚEL – STEEL – UNI Ck45 SAE 1045 – CROM/CHROME min.20 MICRON

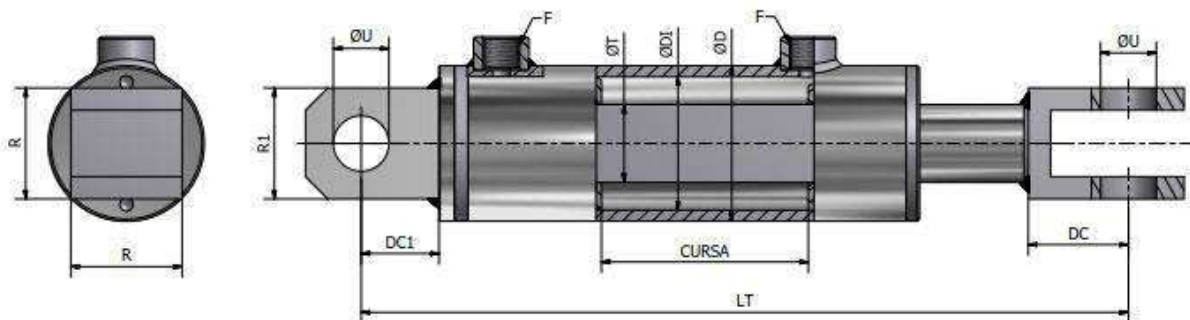


COD – CODE	D	DI	T	CURSA - STROKE	LT	U	R	C	DC	R1	C1	DC1	F
CD00503220	42	32	20	50	214	16	35	16	34	35	20	25	¼"
CD01003220				100	264								
CD01503220				150	314								
CD02003220				200	364								
CD02503220				250	414								
CD03003220				300	464								
CD04003220				400	564								
CD05003220				500	664								
CD01004020	50	40	20	100	289	16	35	16	34	35	20	25	¼"
CD01504020				150	339								
CD02004020				200	389								
CD02504020				250	439								
CD03004020				300	489								
CD03504020				350	539								
CD04004020				400	589								
CD04504020				450	639								
CD05004020	500	689											
CD01004025	50	40	25	100	289	16	35	16	34	35	20	25	¼"
CD01504025				150	339								
CD02004025				200	389								
CD02504025				250	439								
CD03004025				300	489								
CD03504025				350	539								
CD04004025				400	589								
CD04504025				450	639								
CD05004025				500	689								
CD05504025				550	739								
CD06004025				600	789								
CD01005025	60	50	25	100	310	20	40	20	40	45	25	30	3/8"
CD01505025				150	360								
CD02005025				200	410								
CD02505025				250	460								

\*La cerere se pot executa si alte dimensiuni si configuratii.

ȚEAVĂ – TUBE: OȚEL – STEEL – ST 52.3 DIN 2391 ISO H8

TIJĂ – ROD: OȚEL – STEEL – UNI Ck45 SAE 1045 – CROM/CHROME min.20 MICRON

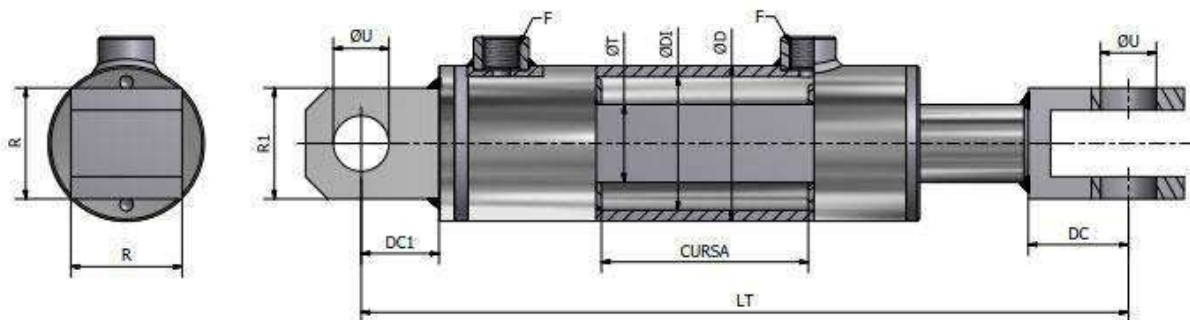


COD - CODE	D	DI	T	CURSA - STROKE	LT	U	R	C	DC	R1	C1	DC1	F
CD03005025				300	510								
CD03505025				350	560								
CD04005025				400	610								
CD04505025				450	660								
CD05005025				500	710								
CD05505025				550	760								
CD06005025				600	810								
CD08005025				800	1010								
CD10005025				1000	1210								
CD01505030				150	360								
CD02005030				200	410								
CD02505030				250	460								
CD03005030				300	510								
CD03505030				350	560								
CD04005030	60	50	30	400	610	20	40	20	40	45	25	30	3/8"
CD04505030				450	660								
CD05005030				500	710								
CD05505030				550	760								
CD06005030				600	810								
CD08005030				800	1010								
CD10005030				1000	1210								
CD01006030				100	340								
CD01506030				150	390								
CD02006030				200	440								
CD02506030				250	490								
CD03006030				300	540								
CD03506030				350	590								
CD04006030	70	60	30	400	640	25	50	25	45	50	30	35	3/8"
CD04506030				450	690								
CD05006030				500	740								
CD05506030				550	790								
CD06006030				600	840								
CD08006030				800	1040								
CD10006030				1000	1240								
CD01006035	70	60	35	100	340	25	50	25	45	50	30	35	3/8"
CD01506035				150	390								

\*La cerere se pot executa si alte dimensiuni si configuratii.

ȚEAVĂ - TUBE: OȚEL - STEEL - ST 52.3 DIN 2391 ISO H8

TIJĂ - ROD: OȚEL - STEEL - UNI Ck45 SAE 1045 - CROM/CHROME min.20 MICRON



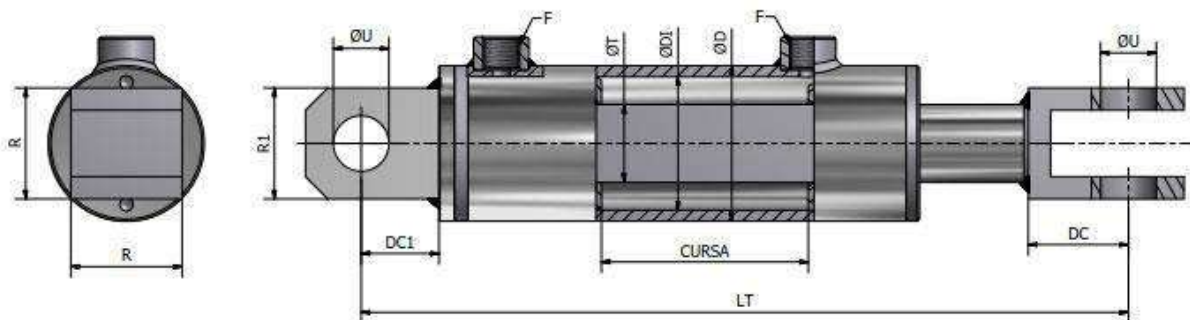
COD - CODE	D	DI	T	CURSA - STROKE	LT	U	R	C	DC	R1	C1	DC1	F
CD02006035				200	440								
CD02506035				250	490								
CD03006035				300	540								
CD03506035				350	590								
CD04006035				400	640								
CD04506035				450	690								
CD05006035				500	740								
CD05506035				550	790								
CD06006035				600	840								
CD01806035				800	1040								
CD10006035				1000	1240								
CD02006040				200	440								
CD02506040				250	490								
CD03006040				300	540								
CD03506040				350	590								
CD04006040				400	640								
CD04506040	70	60	40	450	690	25	50	25	45	50	30	35	3/8"
CD05006040				500	740								
CD05506040				550	790								
CD06006040				600	840								
CD08006040				800	1040								
CD10006040				1000	1240								
CD02006340				200	440								
CD02506340				250	490								
CD03006340				300	540								
CD03506340				350	590								
CD04006340				400	640								
CD04506340	73	63	40	450	690	25	50	25	45	50	30	35	3/8"
CD05006340				500	740								
CD05506340				550	790								
CD06006340				600	840								
CD08006340				800	1040								
CD10006340				1000	1240								
CD01007035				100	340								
CD01507035	80	70	35	150	390	25	50	25	45	50	30	35	3/8"
CD02007035				200	440								

\*La cerere se pot executa si alte dimensiuni si configuratii.

**ȚEAVĂ - TUBE:** OȚEL - STEEL - ST 52.3 DIN 2391 ISO H8

**TIJĂ - ROD:** OȚEL - STEEL - UNI Ck45 SAE 1045 - CROM/CHROME min.20 MICRON



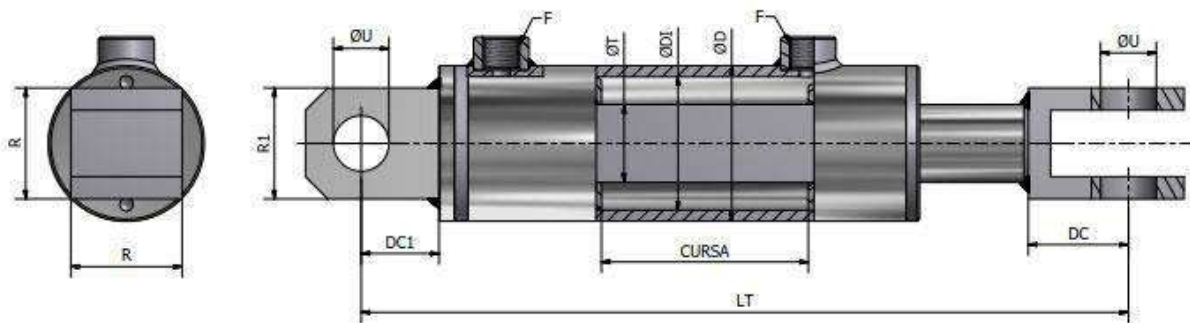


COD - CODE	D	DI	T	CURSA - STROKE	LT	U	R	C	DC	R1	C1	DC1	F
CD02507035				250	490								
CD03007035				300	540								
CD03507035				350	590								
CD04007035				400	640								
CD04507035				450	690								
CD05007035				500	740								
CD05507035				550	790								
CD06007035				600	840								
CD08007035				800	1040								
CD10007035				1000	1240								
CD02007040				200	440								
CD02507040				250	490								
CD03007040				300	540								
CD03507040				350	590								
CD04007040				400	640								
CD04507040	80	70	40	450	690	25	50	25	45	50	30	35	3/8"
CD05007040				500	740								
CD05507040				550	790								
CD06007040				600	840								
CD08007040				800	1040								
CD10007040				1000	1240								
CD02008040				200	475								
CD02508040				250	525								
CD03008040				300	575								
CD04008040				400	675								
CD05008040	92	80	40	500	775	30	60	30	50	60	35	45	1/2"
CD06008040				600	875								
CD08008040				800	1075								
CD10008040				1000	1275								
CD02008050				200	475								
CD02508050				250	525								
CD03008050				300	575								
CD04008050	92	80	50	400	675	30	60	30	50	60	35	45	1/2"
CD05008050				500	775								
CD06008050				600	875								
CD08008050				800	1075								

\*La cerere se pot executa si alte dimensiuni si configuratii.

ȚEAVĂ - TUBE: OȚEL - STEEL - ST 52.3 DIN 2391 ISO H8

TIJĂ - ROD: OȚEL - STEEL - UNI Ck45 SAE 1045 - CROM/CHROME min.20 MICRON

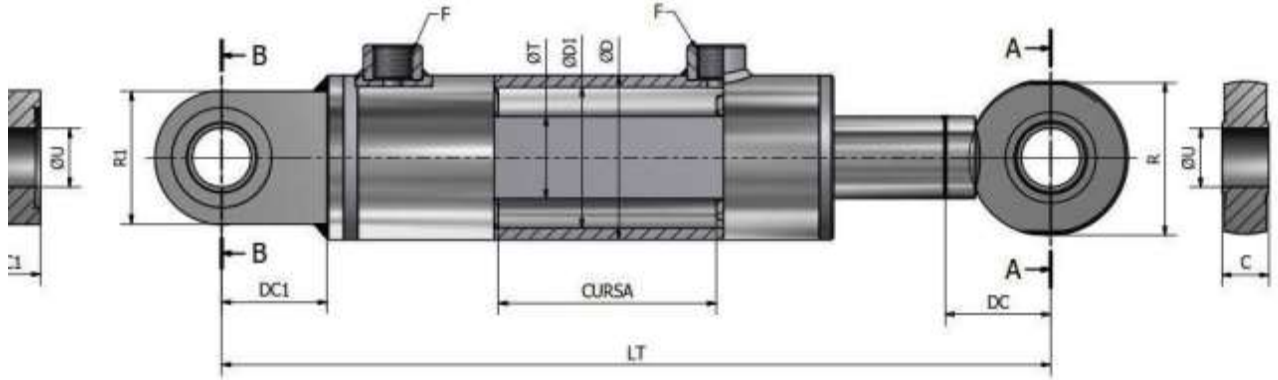


COD - CODE	D	DI	T	CURSA - STROKE	LT	U	R	C	DC	R1	C1	DC1	F
CD10008050				1000	1275								
CD03009050	105	90	50	300	616	40	80	40	70	70	40	60	½"
CD04009050				400	716								
CD05009050				500	816								
CD06009050				600	916								
CD08009050				800	1116								
CD10009050				1000	1316								
CD020010050				115	100								
CD025010050	250	590											
CD030010050	300	640											
CD040010050	400	740											
CD050010050	500	840											
CD060010050	600	940											
CD080010050	800	1140											
CD100010050	1000	1340											
CD030010060	115	100	60	300	640	40	80	40	70	70	40	60	½"
CD040010060				400	740								
CD050010060				500	840								
CD060010060				600	940								
CD080010060				800	1140								
CD100010060				1000	1340								

\*La cerere se pot executa si alte dimensiuni si configuratii.

**ȚEAVĂ - TUBE:** OȚEL - STEEL - ST 52.3 DIN 2391 ISO H8

**TIJĂ - ROD:** OȚEL - STEEL - UNI Ck45 SAE 1045 - CROM/CHROME min.20 MICRON

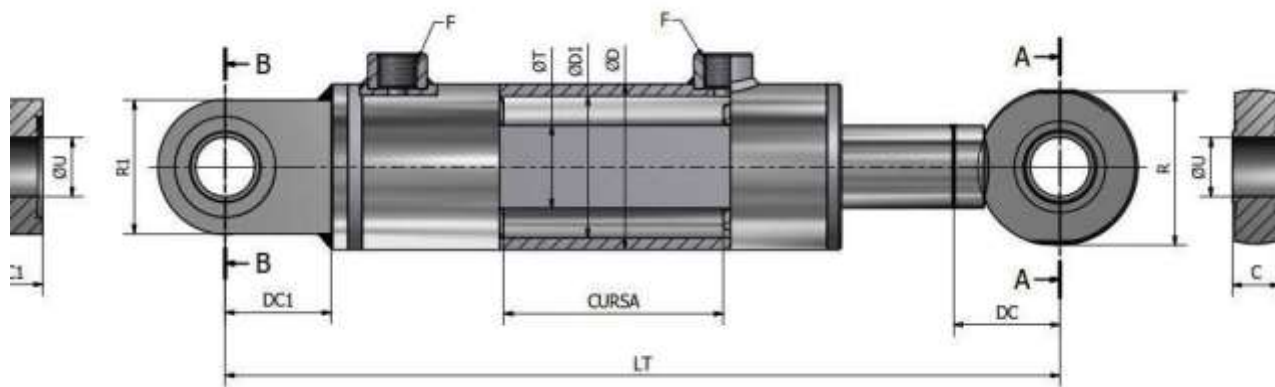


COD - CODE	D	DI	T	CURSA - STROKE	LT	U	R	C	DC	R1	C1	DC1	F
CG00503220	42	32	20	50	225	16	46	14	35	48	17,5	35	¼"
CG01003220				100	275								
CG01503220				150	325								
CG02003220				200	375								
CG02503220				250	425								
CG03003220				300	475								
CG04003220				400	575								
CG05003220				500	675								
CG01004020	50	40	20	100	300	16	46	14	35	50	17,5	35	¼"
CG01004020				150	350								
CG01004020				200	400								
CG01004020				250	450								
CG01004020				300	500								
CG01004020				350	550								
CG01004020				400	600								
CG01004020				450	650								
CG01004020	500	700											
CG01004025	50	40	25	100	300	16	46	14	35	50	17,5	35	¼"
CG01504025				150	350								
CG02004025				200	400								
CG02504025				250	450								
CG03004025				300	500								
CG03504025				350	550								
CG04004025				400	600								
CG04504025				450	650								
CG05004025				500	700								
CG05504025				550	750								
CG06004025				600	800								
CG01005025				60	50								
CG01505025	150	366											
CG02005025	200	416											

\*La cerere se pot executa si alte dimensiuni si configuratii.

**ȚEAVĂ – TUBE:** OȚEL – STEEL – ST 52.3 DIN 2391 ISO H8

**TIJĂ – ROD:** OȚEL – STEEL – UNI Ck45 SAE 1045 – CROM/CHROME min.20 MICRON

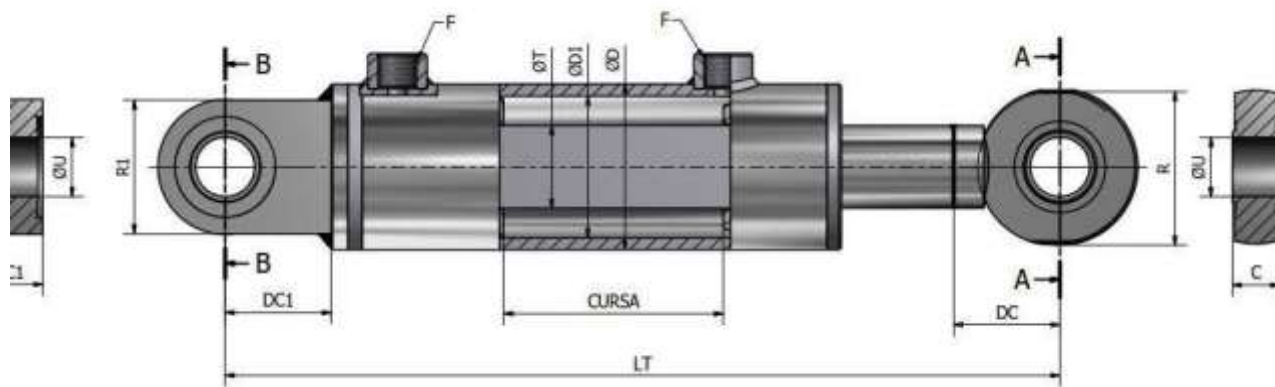


COD - CODE	D	DI	T	CURSA - STROKE	LT	U	R	C	DC	R1	C1	DC1	F
CG02505025				250	466								
CG03005025				300	516								
CG03505025				350	566								
CG04005025				400	616								
CG04505025				450	666								
CG05005025				500	716								
CG05505025				550	766								
CG06005025				600	816								
CG08005025				800	1016								
CG10005025				1000	1216								
CG01505030				150	366								
CG02005030				200	416								
CG02505030				250	466								
CG03005030				300	516								
CG03505030				350	566								
CG04005030				400	616								
CG04505030	60	50	30	450	666	20	53	16	38	60	19	38	3/8"
CG05005030				500	716								
CG05505030				550	766								
CG06005030				600	816								
CG07005030				700	916								
CG08005030				800	1016								
CG10005030				1000	1216								
CG01006030				100	350								
CG01506030				150	400								
CG02006030				200	450								
CG02506030				250	500								
CG03006030				300	550								
CG03506030				350	600								
CG04006030	70	60	30	400	650	25	70	20	45	55	23	45	3/8"
CG04506030				450	700								
CG05006030				500	750								
CG05506030				550	800								
CG06006030				600	850								
CG08006030				800	1050								

\*La cerere se pot executa si alte dimensiuni si configuratii.

**ȚEAVĂ – TUBE:** OȚEL – STEEL – ST 52.3 DIN 2391 ISO H8

**TIJĂ – ROD:** OȚEL – STEEL – UNI Ck45 SAE 1045 – CROM/CHROME min.20 MICRON

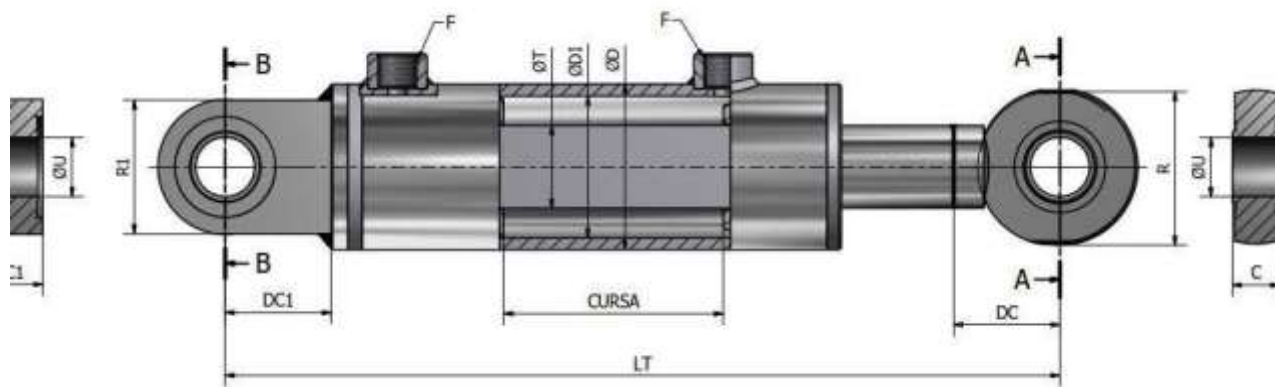


COD - CODE	D	DI	T	CURSA - STROKE	LT	U	R	C	DC	R1	C1	DC1	F
CG10006030				1000	1250								
CG01006035				100	350								
CG01506035				150	400								
CG02006035				200	450								
CG02506035				250	500								
CG03006035				300	550								
CG03506035				350	600								
CG04006035	70	60	35	400	650	25	64	20	45	55	23	45	3/8"
CG04506035				450	700								
CG05006035				500	750								
CG05506035				550	800								
CG06006035				600	850								
CG08006035				800	1050								
CG10006035				1000	1250								
CG02006040				200	450								
CG02506040				250	500								
CG03006040				300	550								
CG03506040				350	600								
CG04006040				400	650								
CG04506040	70	60	40	450	700	25	64	20	45	55	23	45	3/8"
CG05006040				500	750								
CG05506040				550	800								
CG06006040				600	850								
CG08006040				800	1050								
CG10006040				1000	1250								
CG02006340				200	450								
CG02506340				250	500								
CG03006340				300	550								
CG03506340				350	600								
CG04006340	73	63	40	400	650	25	64	20	45	55	23	45	3/8"
CG04506340				450	700								
CG05006340				500	750								
CG05506340				550	800								
CG06006340				600	850								
CG08006340				800	1050								

\*La cerere se pot executa si alte dimensiuni si configuratii.

**ȚEAVĂ – TUBE:** OȚEL – STEEL – ST 52.3 DIN 2391 ISO H8

**TIJĂ – ROD:** OȚEL – STEEL – UNI Ck45 SAE 1045 – CROM/CHROME min.20 MICRON

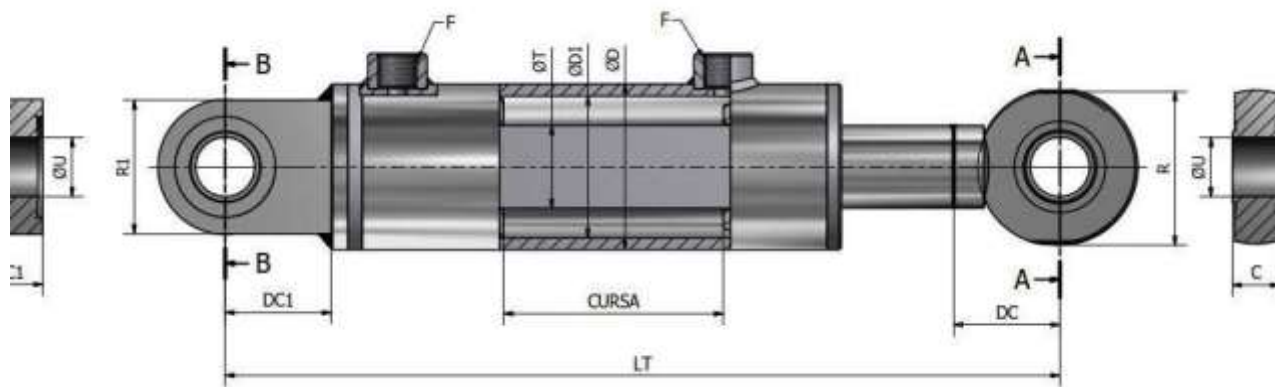


COD - CODE	D	DI	T	CURSA - STROKE	LT	U	R	C	DC	R1	C1	DC1	F
CG10006340				1000	1250								
CG01007035				100	350								
CG01507035				150	400								
CG02007035				200	450								
CG02507035				250	500								
CG03007035				300	550								
CG03507035				350	600								
CG04007035	80	70	35	400	650	25	64	20	45	55	23	45	3/8"
CG04507035				450	700								
CG05007035				500	750								
CG05507035				550	800								
CG06007035				600	850								
CG08007035				800	1050								
CG10007035				1000	1250								

\*La cerere se pot executa si alte dimensiuni si configuratii.

**ȚEAVĂ – TUBE:** OȚEL – STEEL – ST 52.3 DIN 2391 ISO H8

**TIJĂ – ROD:** OȚEL – STEEL – UNI Ck45 SAE 1045 – CROM/CHROME min.20 MICRON

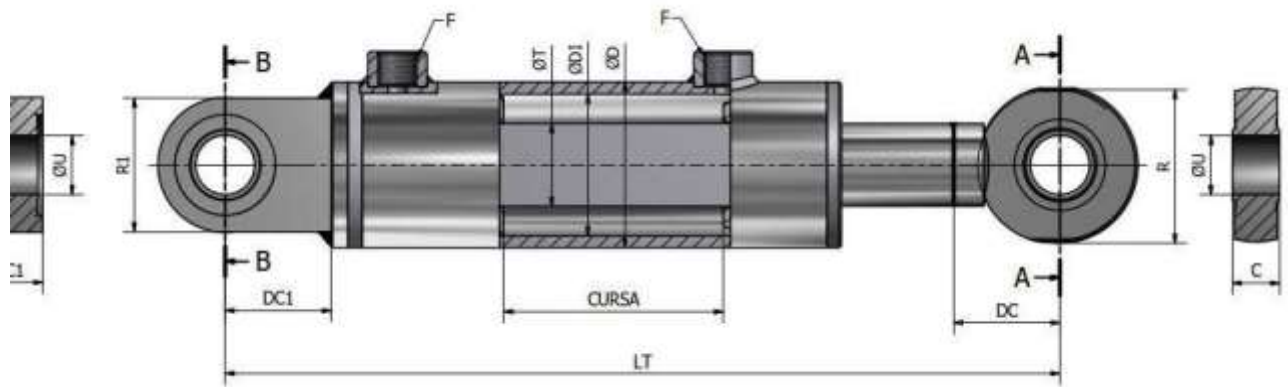


COD - CODE	D	DI	T	CURSA - STROKE	LT	U	R	C	DC	R1	C1	DC1	F
CG02007040				200	450								
CG02507040				250	500								
CG03007040				300	550								
CG03507040				350	600								
CG04007040				400	650								
CG04507040	80	70	40	450	700	25	64	20	45	55	23	45	3/8"
CG05007040				500	750								
CG05507040				550	800								
CG06007040				600	850								
CG08007040				800	1050								
CG10007040				1000	1250								
CG02008040				200	482								
CG02508040				250	532								
CG03008040				300	582								
CG04008040	92	80	40	400	682	30	73	22	51	65	28	51	1/2"
CG05008040				500	782								
CG06008040				600	882								
CG08008040				800	1082								
CG10008040				1000	1282								
CG02008050				200	482								
CG02508050				250	532								
CG03008050				300	582								
CG04008050	92	80	50	400	682	30	73	22	51	65	28	51	1/2"
CG05008050				500	782								
CG06008050				600	882								
CG08008050				800	1082								
CG10008050				1000	1282								
CG03009050				300	624								
CG04009050				400	724								
CG05009050	105	90	50	500	824	40	92	28	69	100	35	69	1/2"
CG06009050				600	924								
CG08009050				800	1124								
CG10009050				1000	1324								
CG020010050	115	100	50	200	548	40	92	28	69	100	35	69	1/2"
CG025010050				250	598								

\*La cerere se pot executa si alte dimensiuni si configuratii.

**ȚEAVĂ – TUBE:** OȚEL – STEEL – ST 52.3 DIN 2391 ISO H8

**TIJĂ – ROD:** OȚEL – STEEL – UNI Ck45 SAE 1045 – CROM/CHROME min.20 MICRON



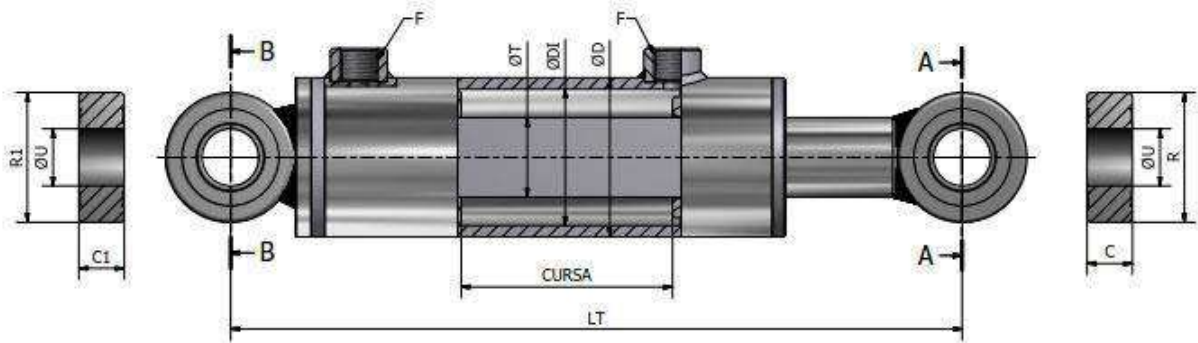
COD - CODE	D	DI	T	CURSA - STROKE	LT	U	R	C	DC	R1	C1	DC1	F
CG030010050				300	648								
CG040010050				400	748								
CG050010050				500	848								
CG060010050				600	948								
CG080010050				800	1148								
CG100010050				1000	1348								
CG030010060	115	100	60	300	648	40	92	28	69	100	35	69	½"
CG040010060				400	748								
CG050010060				500	848								
CG060010060				600	948								
CG080010060				800	1148								
CG100010060				1000	1348								

\*La cerere se pot executa si alte dimensiuni si configuratii.

**ȚEAVĂ – TUBE:** OȚEL – STEEL – ST 52.3 DIN 2391 ISO H8

**TIJĂ – ROD:** OȚEL – STEEL – UNI Ck45 SAE 1045 – CROM/CHROME min.20 MICRON



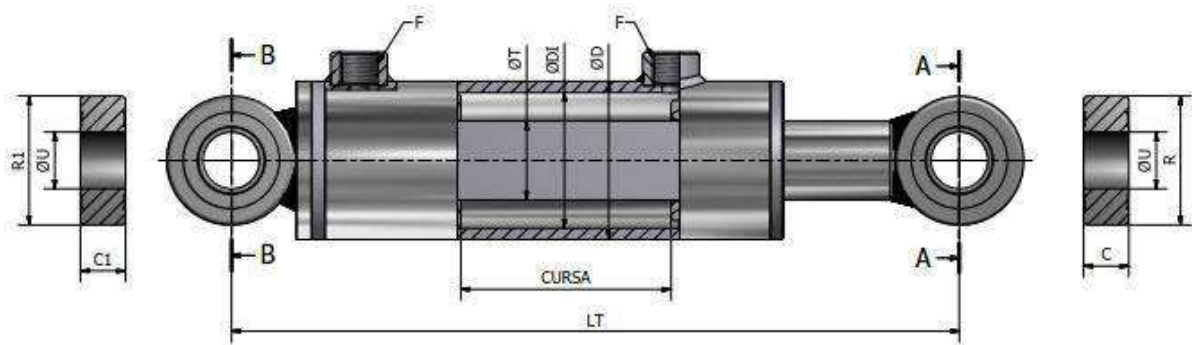


COD - CODE	D	DI	T	CURSA - STROKE	LT	U	R	C	R1	C1	F
CR00503220	42	32	20	50	195	15	40	12	40	12	¼"
CR01003220				100	245						
CR01503220				150	295						
CR02003220				200	345						
CR02503220				250	395						
CR03003220				300	445						
CR04003220				400	545						
CR05003220				500	645						
CR01004020				50	40						
CR01504020	150	330									
CR02004020	200	380									
CR02504020	250	430									
CR03004020	300	480									
CR03504020	350	530									
CR04004020	400	580									
CR04504020	450	630									
CR05004020	500	680									
CR01004025	50	40	25	100	280	20	50	16	50	16	¼"
CR01504025				150	330						
CR02004025				200	380						
CR02504025				250	430						
CR03004025				300	480						
CR03504025				350	530						
CR04004025				400	580						
CR04504025				450	630						
CR05004025				500	680						
CR05504025				550	730						
CR06004025				600	780						
CR01005025				60	50						
CR01505025	150	359									
CR02005025	200	409									
CR02505025	250	459									

\*La cerere se pot executa si alte dimensiuni si configuratii.

ȚEAVĂ – TUBE: OȚEL – STEEL – ST 52.3 DIN 2391 ISO H8

TIJĂ – ROD: OȚEL – STEEL – UNI Ck45 SAE 1045 – CROM/CHROME min.20 MICRON

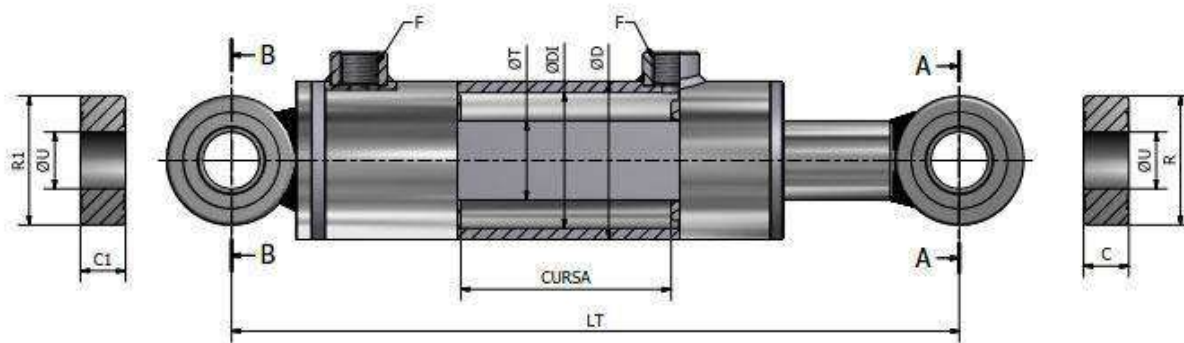


COD - CODE	D	DI	T	CURSA - STROKE	LT	U	R	C	R1	C1	F
CR03005025				300	509						
CR03505025				350	559						
CR04005025				400	609						
CR04505025				450	659						
CR05005025				500	709						
CR05505025				550	759						
CR06005025				600	809						
CR08005025				800	1009						
CR10005025				1000	1209						
CR01505030				150	359						
CR02005030				200	409						
CR02505030				250	459						
CR03005030				300	509						
CR03505030				350	559						
CR04005030				400	609						
CR04505030	60	50	30	450	659	25	69	20	69	20	3/8"
CR05005030				500	709						
CR05505030				550	759						
CR06005030				600	809						
CR07005030				700	909						
CR08005030				800	1009						
CR10005030				1000	1209						
CR01006030				100	329						
CR01506030				150	379						
CR02006030				200	429						
CR02506030				250	479						
CR03006030				300	529						
CR03506030				350	579						
CR04006030	70	60	30	400	629	25	69	20	69	20	3/8"
CR04506030				450	679						
CR05006030				500	729						
CR05506030				550	779						
CR06006030				600	829						
CR08006030				800	1029						
CR10006030				1000	1229						
CR01006035				100	329						
CR01506035	70	60	35	150	379	25	69	20	69	20	3/8"
CR02006035				200	429						

\*La cerere se pot executa si alte dimensiuni si configuratii.

**ȚEAVĂ – TUBE:** OȚEL – STEEL – ST 52.3 DIN 2391 ISO H8

**ȚIJĂ – ROD:** OȚEL – STEEL – UNI Ck45 SAE 1045 – CROM/CHROME min.20 MICRON

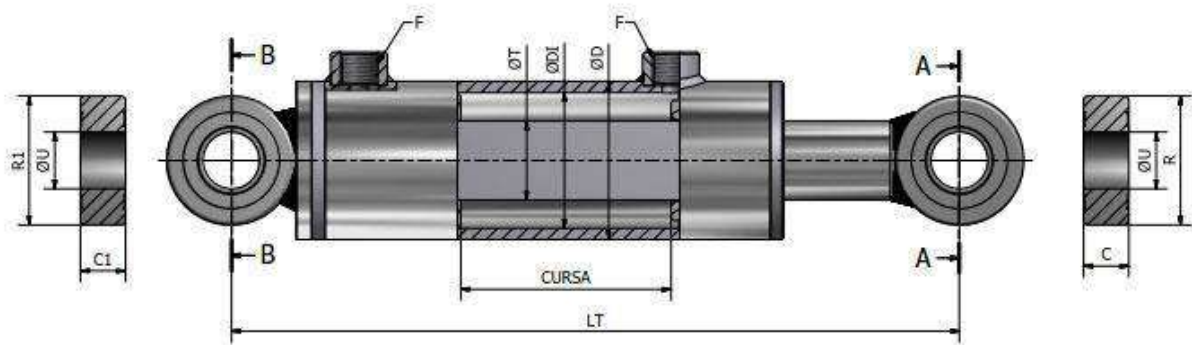


COD - CODE	D	DI	T	CURSA - STROKE	LT	U	R	C	R1	C1	F
CR02506035				250	479						
CR03006035				300	529						
CR03506035				350	579						
CR04006035				400	629						
CR04506035				450	679						
CR05006035				500	729						
CR05506035				550	779						
CR06006035				600	829						
CR08006035				800	1029						
CR10006035				1000	1229						
CR02006040				200	429						
CR02506040				250	479						
CR03006040				300	529						
CR03506040				350	579						
CR04006040				400	629						
CR04506040	70	60	40	450	679	25	69	20	69	20	3/8"
CR05006040				500	729						
CR05506040				550	779						
CR06006040				600	829						
CR08006040				800	1029						
CR10006040				1000	1229						
CR02006340				200	429						
CR02506340				250	479						
CR03006340				300	529						
CR03506340				350	579						
CR04006340				400	629						
CR04506340	73	63	40	450	679	25	69	20	69	20	3/8"
CR05006340				500	729						
CR05506340				550	779						
CR06006340				600	829						
CR08006340				800	1029						
CR10006340				1000	1229						
CR01007035				100	335						
CR01507035				150	385						
CR02007035	80	70	35	200	435	30	75	22	75	22	3/8"
CR02507035				250	485						
CR03007035				300	535						
CR03507035				350	585						

\*La cerere se pot executa si alte dimensiuni si configuratii.

ȚEAVĂ – TUBE: OȚEL – STEEL – ST 52.3 DIN 2391 ISO H8

TIJĂ – ROD: OȚEL – STEEL – UNI Ck45 SAE 1045 – CROM/CHROME min.20 MICRON

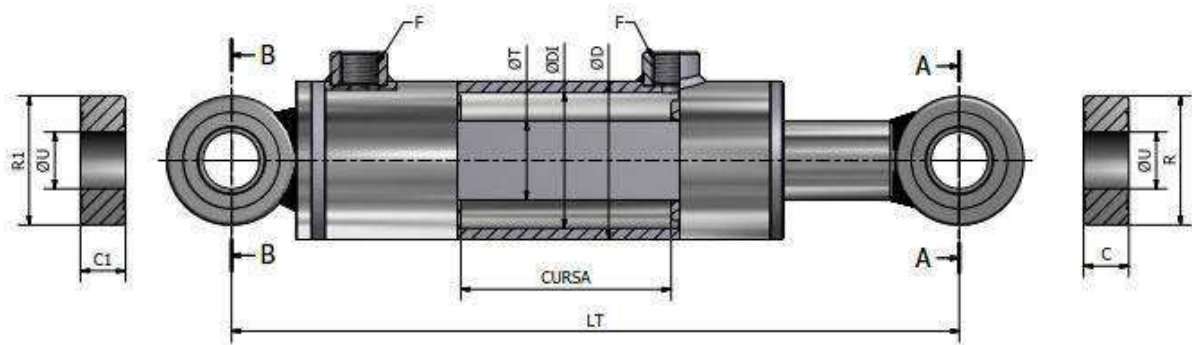


COD - CODE	D	DI	T	CURSA - STROKE	LT	U	R	C	R1	C1	F
CR04007035				400	635						
CR04507035				450	685						
CR05007035				500	735						
CR05507035				550	785						
CR06007035				600	835						
CR08007035				800	1035						
CR10007035				1000	1235						
CR02007040				200	435						
CR02507040				250	485						
CR03007040				300	535						
CR03507040				350	585						
CR04007040				400	635						
CR04507040	80	70	40	450	685	30	75	22	75	22	3/8"
CR05007040				500	735						
CR05507040				550	785						
CR06007040				600	835						
CR08007040				800	1035						
CR10007040				1000	1235						
CR02008040				200	474						
CR02508040				250	524						
CR03008040				300	574						
CR04008040				400	674						
CR05008040	92	80	40	500	774	40	94	28	94	28	1/2"
CR06008040				600	874						
CR08008040				800	1074						
CR10008040				1000	1274						
CR02008050				200	474						
CR02508050				250	524						
CR04008050				400	674						
CR05008050	92	80	50	500	774	40	94	28	94	28	1/2"
CR06008050				600	874						
CR08008050				800	1074						
CR10008050				1000	1274						
CR03009050				300	580						
CR04009050				400	680						
CR05009050	105	90	50	500	780	40	94	28	94	28	1/2"
CR06009050				600	880						
CR08009050				800	1080						

\*La cerere se pot executa si alte dimensiuni si configuratii.

ȚEAVĂ – TUBE: OȚEL – STEEL – ST 52.3 DIN 2391 ISO H8

TIJĂ – ROD: OȚEL – STEEL – UNI Ck45 SAE 1045 – CROM/CHROME min.20 MICRON

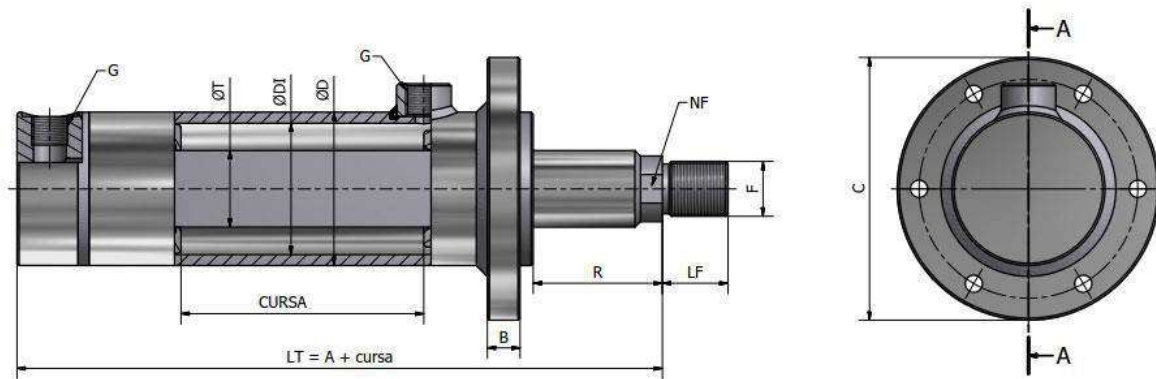


COD - CODE	D	DI	T	CURSA - STROKE	LT	U	R	C	R1	C1	F
CR10009050				1000	1280						
CR020010050	115	100	50	200	530	50	120	40	120	40	½"
CR025010050				250	580						
CR030010050				300	630						
CR040010050				400	730						
CR050010050				500	830						
CR060010050				600	930						
CR080010050				800	1130						
CR100010050				1000	1330						
CR030010060				115	100						
CR040010060	400	730									
CR050010060	500	830									
CR060010060	600	930									
CR080010060	800	1130									
CR100010060	1000	1330									

\*La cerere se pot executa si alte dimensiuni si configuratii.

**ȚEAVĂ – TUBE:** OȚEL – STEEL – ST 52.3 DIN 2391 ISO H8

**TIJĂ – ROD:** OȚEL – STEEL – UNI Ck45 SAE 1045 – CROM/CHROME min.20 MICRON

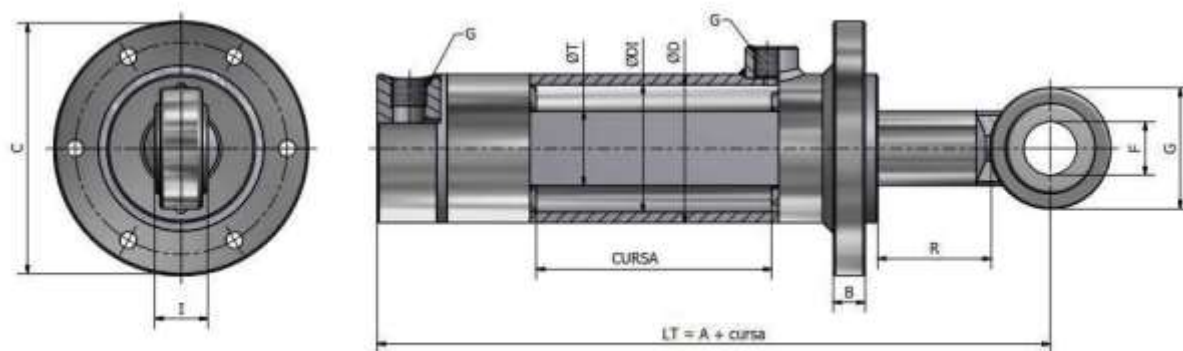


COD - CODE	D	DI	T	A	G	LT	B	C	R	F	LF	NF
DFE01455025	60	50	25	145	3/8"	145+cursa	25	130	35	M20x1,5	28	22
DFE01556340	73	63	40	155	3/8"	155+cursa	25	145	44	M27x2	36	35
DFE01738050	95	80	50	173	1/2"	173+cursa	30	195	42	M33x2	45	45
DFE01839060	105	90	60	183	1/2"	183+cursa	30	205	48	M33x2	45	55
DFE20510063	120	100	63	205	3/4"	205+cursa	35	230	40	M42x2	56	55
DFE22211070	130	110	70	222	3/4"	222+cursa	35	240	57	M42x2	56	60
DFE23512580	145	125	80	235	3/4"	235+cursa	40	255	42	M48x2	63	70

\*La cerere se pot executa si alte dimensiuni si configuratii.

**ȚEAVĂ – TUBE:** OȚEL – STEEL – ST 52.3 DIN 2391 ISO H8

**TIJĂ – ROD:** OȚEL – STEEL – UNI Ck45 SAE 1045 – CROM/CHROME min.20 MICRON



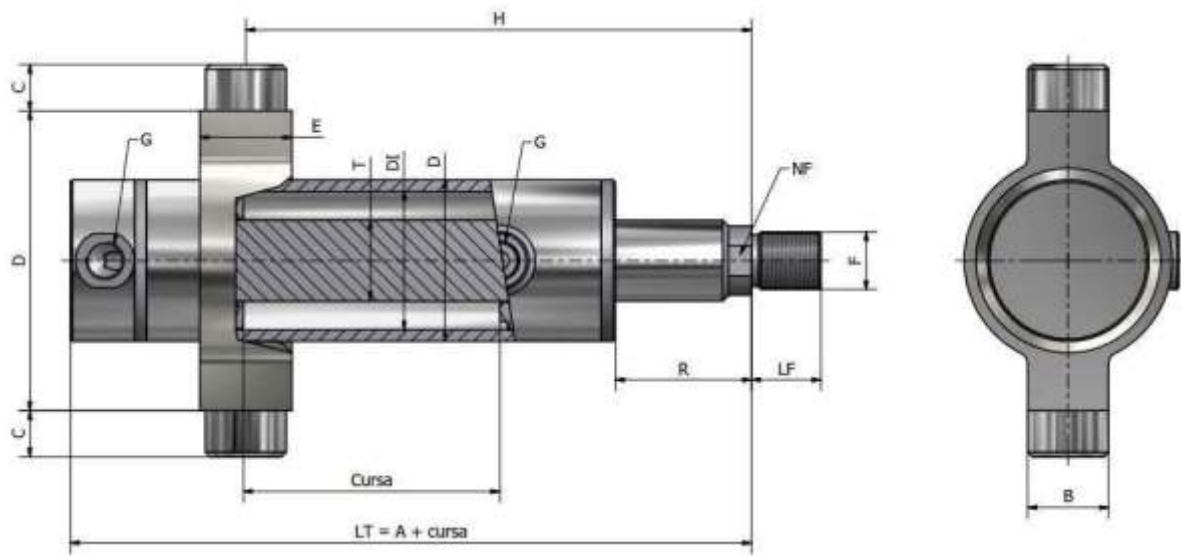
COD - CODE	D	DI	T	A	G	LT	B	C	R	F	G	I
DFG01755025	60	50	25	145	3/8"	175+cursa	25	130	65	25	60	20
DFG01906340	73	63	40	155	3/8"	190+cursa	25	145	79	30	70	22
DFG02138050	95	80	50	173	1/2"	213+cursa	30	195	82	35	80	25
DFG02289060	105	90	60	183	1/2"	228+cursa	30	205	93	45	100	32
DFG25810063	120	100	63	205	3/4"	258+cursa	35	230	93	50	110	35
DFG27711070	130	110	70	222	3/4"	277+cursa	35	240	112	50	110	35
DFG30012580	145	125	80	235	3/4"	300+cursa	40	255	107	60	130	44

\*La cerere se pot executa si alte dimensiuni si configuratii.

**ȚEAVĂ – TUBE:** OȚEL – STEEL – ST 52.3 DIN 2391 ISO H8

**TIJĂ – ROD:** OȚEL – STEEL – UNI Ck45 SAE 1045 – CROM/CHROME min.20 MICRON





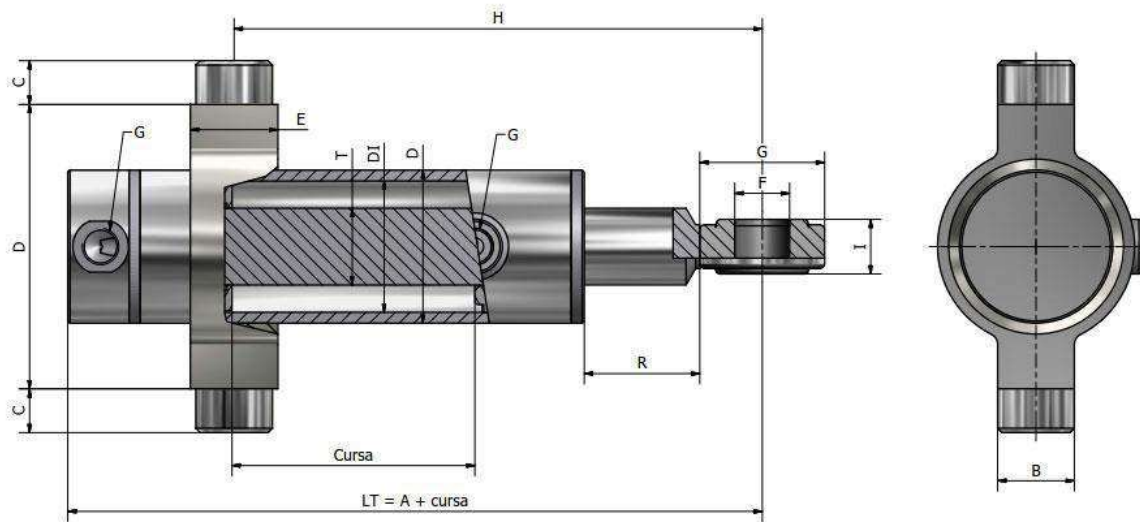
COD - CODE	D	DI	T	A	G	LT	B	C	D	E	R	F	LF	N F	H
DPF01505025	60	50	25	150	3/8"	150+cursa	30	20	115	40	35	M20x1,5	28	22	158
DPF01606340	73	63	40	160	3/8"	160+cursa	35	20	130	50	44	M27x2	36	35	176
DPF01738050	95	80	50	173	1/2"	173+cursa	45	25	145	55	42	M33x2	45	45	205
DPF01839060	105	90	60	183	1/2"	183+cursa	45	27,5	160	65	48	M33x2	45	55	215
DPF20710063	120	100	63	207	3/4"	207+cursa	50	30	175	70	40	M42x2	56	55	243
DPF22211070	130	110	70	222	3/4"	222+cursa	55	35	190	75	57	M42x2	56	60	256
DPF23512580	145	125	80	235	3/4"	235+cursa	60	40	210	80	42	M48x2	63	70	272

\*La cerere se pot executa si alte dimensiuni si configuratii.

**ȚEAVĂ – TUBE:** OȚEL – STEEL – ST 52.3 DIN 2391 ISO H8

**TIJĂ – ROD:** OȚEL – STEEL – UNI Ck45 SAE 1045 – CROM/CHROME min.20 MICRON





COD - CODE	D	DI	T	A	G	LT	B	C	D	E	R	F	G	I	H
DPG01805025	60	50	25	180	3/8"	180+cursa	30	20	115	40	64	25	60	20	160
DPG01956340	73	63	40	195	3/8"	195+cursa	35	20	130	50	74	30	70	22	175
DPG02138050	95	80	50	213	1/2"	213+cursa	45	25	145	55	76	35	80	25	200
DPG02289060	105	90	60	228	1/2"	228+cursa	45	27,5	160	65	84	45	100	32	215
DPG26310063	120	100	63	263	3/4"	263+cursa	50	30	175	70	93	50	110	35	243
DPG27711070	130	110	70	277	3/4"	277+cursa	55	35	190	75	104	50	110	35	255
DPG30012580	145	125	80	300	3/4"	300+cursa	60	40	210	80	103	60	130	44	280

\*La cerere se pot executa si alte dimensiuni si configuratii.

ȚEAVĂ – TUBE: OȚEL – STEEL – ST 52.3 DIN 2391 ISO H8

TIJĂ – ROD: OȚEL – STEEL – UNI Ck45 SAE 1045 – CROM/CHROME min.20 MICRON

## Contact:



**Tel: Operator economic inregistrat in SEAP.**

CIF: RO17073791; Nr. ord. reg. com: J40/21846/2004

Sediu si magazin: Str. Calea Plevnei nr. 164

Mail: [bazatehnica@bazatehnica.ro](mailto:bazatehnica@bazatehnica.ro); [bazatehnica@gmail.com](mailto:bazatehnica@gmail.com)

Telefon fix: 021 3178041 ; 021 3178041

Mobil: 0744 365507 ; 0741 219267

Program: L-V - 08-17